

Industrial surface socket 2P+E, 63A 230V~. IP67

Industrial surface socket 2P+E, 63A 230V~. IP67



Features

Common applications	Industrial environments (factories, warehouses, etc.)
Type	Industrial wall base
No. of poles	2P + T
Type of terminal connection	Screw connection
Earth position	6h
Nominal current	63A
Nominal voltage	230V
Color	Blue

Technical data

Protection Degree (IK)	IK09
Impact shock resistance	Strong
Fire resistance (GWEPT)	850 °C
Heat resistance (Ball pressure)	125 °C
Ambient operating temperature	-5 °C ; +40 °C
Dimensional stability	-25 °C -> +80 °C
Free of halogens	Yes

Regulations

CE marking	Yes
UK marking	Yes

CMim marking	Yes
According to Regulations UNE/EN	UNE-EN 60309-1:2023 UNE-EN 60309-2:2023
In accordance with the Low Voltage Electrotechnical Regulations (REBT)	Yes
According to European Directive 2014/35 / EU. Low voltage directive	Yes

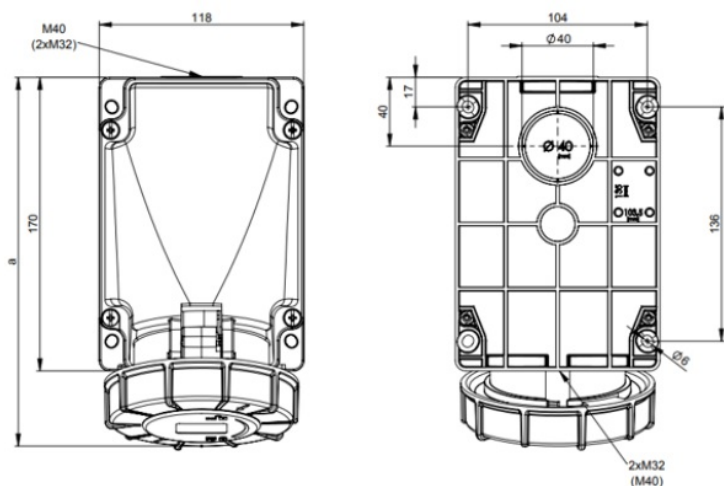
Sustainability

According to European Directive 2011/65/UE (RoHS)	Yes
According to European Directive 2012/19/UE (RAEE2)	Yes
According to Regulations (RoHS)	UNE-EN IEC 63000:2022

Logistics and packaging

Unit EAN code	8423220043121
EAN code container	8423220043121
EAN code packaging	18423220043128
Units packaging	1
Units carton	1
Pallet Units	99999
Packaging Measures cm	29x19x23
Unit weight (g)	826,2
Container Weight (Kg)	0,8262
Packaging Weight (Kg)	0,9972
Tariff code	85366990

Sketch



Ampere	63		
Pole	3	4	5
a [mm]	213	213	213
b [mm]	173	173	173



Documentation and downloads



Safety Information (0.38MB)