

Industrial surface socket 3P+N+E, 16A 400V~. IP44

Industrial surface socket 3P+N+E, 16A 400V~. IP44



Features

Common applications	Industrial environments (factories, warehouses, etc.)
Type	Industrial wall base
No. of poles	3P + N + T
Type of terminal connection	Screw connection
Earth position	6h
Nominal current	16A
Nominal voltage	400V
Color	Red

Technical data

Protection Degree (IK)	IK09
Impact shock resistance	Strong
Fire resistance (GWEPT)	850 °C
Heat resistance (Ball pressure)	125 °C
Ambient operating temperature	-5 °C ; +40 °C
Dimensional stability	-25 °C -> +80 °C
Free of halogens	Yes

Regulations

CE marking	Yes
According to Regulations UNE/EN	UNE-EN 60309-1:2023 UNE-EN 60309-2:2023
In accordance with the Low Voltage Electrotechnical Regulations (REBT)	Yes

According to European Directive 2014/35 / EU. Low voltage directive	Yes
--	-----

Sustainability

According to European Directive 2011/65/UE (RoHS)	Yes
--	-----

According to European Directive 2012/19/UE (RAEE2)	Yes
---	-----

According to Regulations (RoHS)	UNE-EN IEC 63000:2022
---------------------------------	-----------------------

Logistics and packaging

Unit EAN code	8423220043084
---------------	---------------

EAN code container	8423220043084
--------------------	---------------

EAN code packaging	18423220043081
--------------------	----------------

Units packaging	1
-----------------	---

Units carton	50
--------------	----

Pallet Units	99999
--------------	-------

Packaging Measures cm	29x19x23
-----------------------	----------

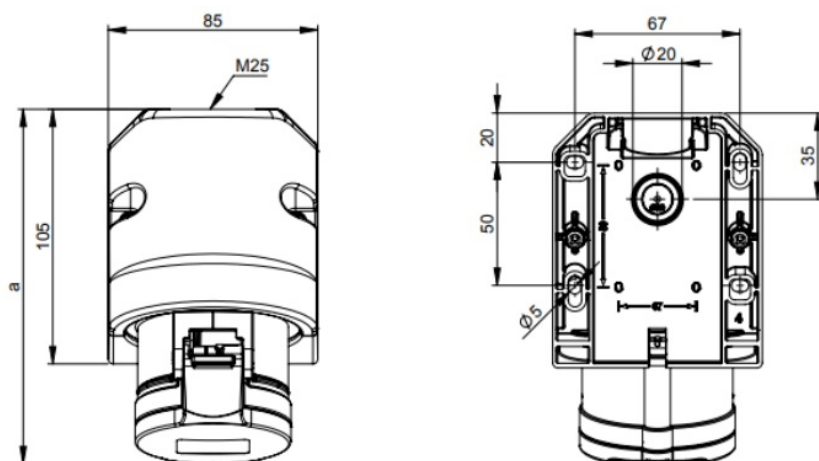
Unit weight (g)	263,2
-----------------	-------

Container Weight (Kg)	0,2632
-----------------------	--------

Packaging Weight (Kg)	13,331
-----------------------	--------

Tariff code	85366990
-------------	----------

Sketch



Ampere	16			32		
Pole	3	4	5	3	4	5
a [mm]	142	145	144	155	155	157
b [mm]	97	98	104	106	106	111
M [mm]	25	25	25	25	25	25



Documentation and downloads



Safety Information (0.38MB)