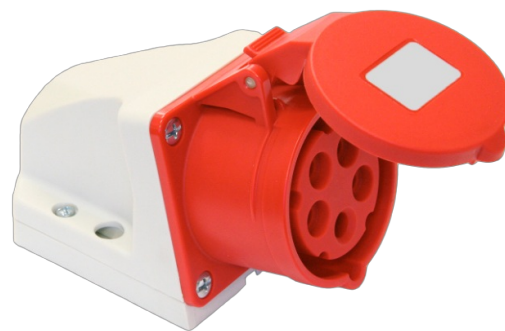


Industrial surface socket 3P+E, 32A 400V~. IP44

Industrial surface socket 3P+E, 32A 400V~. IP44

**Features**

Common applications	Industrial environments (factories, warehouses, etc.)
Type	Industrial wall base
No. of poles	3P + T
Type of terminal connection	Screw connection
Earth position	6h
Nominal current	32A
Nominal voltage	400V
Color	Red

Technical data

Protection Degree (IK)	IK09
Impact shock resistance	Strong
Fire resistance (GWEPT)	850 °C
Heat resistance (Ball pressure)	125 °C
Ambient operating temperature	-5 °C ; +40 °C
Dimensional stability	-25 °C -> +80 °C
Free of halogens	Yes

Regulations

CE marking	Yes
UK marking	Yes
CMim marking	Yes

According to Regulations UNE/EN	UNE-EN 60309-1:2023 UNE-EN 60309-2:2023
In accordance with the Low Voltage Electrotechnical Regulations (REBT)	Yes
According to European Directive 2014/35 / EU. Low voltage directive	Yes

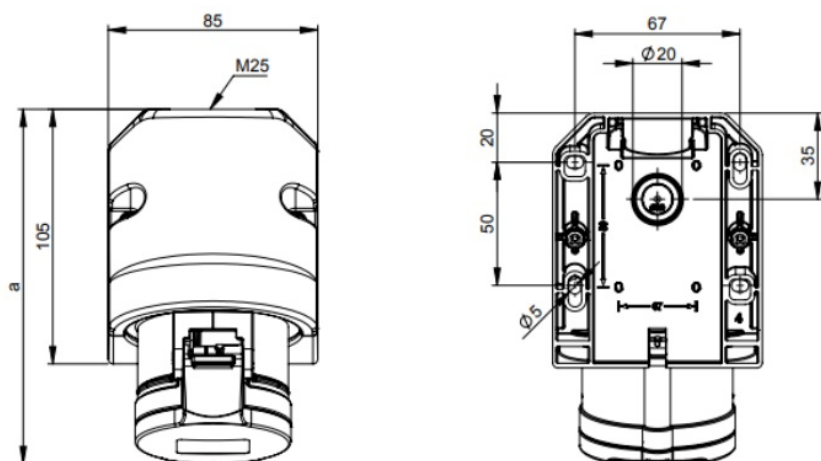
Sustainability

According to European Directive 2011/65/UE (RoHS)	Yes
According to European Directive 2012/19/UE (RAEE2)	Yes
According to Regulations (RoHS)	UNE-EN IEC 63000:2022

Logistics and packaging

Unit EAN code	8423220043107
EAN code container	8423220043107
EAN code packaging	18423220043104
Units packaging	1
Units carton	10
Pallet Units	99999
Packaging Measures cm	33x26x17
Unit weight (g)	289,4
Container Weight (Kg)	0,2894
Packaging Weight (Kg)	3,104
Tariff code	85366990

Sketch



Ampere	16			32		
Pole	3	4	5	3	4	5
a [mm]	142	145	144	155	155	157
b [mm]	97	98	104	106	106	111
M [mm]	25	25	25	25	25	25



Documentation and downloads



Safety Information (0.38MB)