

## Industrial triple adapter 2P+E, 16A 230V~.

Triple industrial adapter with 2P+T plug (6h) and three industrial sockets (6h), rated for 16A at 230V~ and up to 3680W. With IP67 protection, it offers full dust-tight sealing and resistance to water immersion, ideal for harsh outdoor environments like job sites, events, or mobile setups. A robust and versatile power distribution solution.



### Features

Common applications	Industrial environments (factories, warehouses, etc.)
No. of poles	2P + T
Type of terminal connection	Screw connection
Earth position	6h
Nominal current	16A
Nominal voltage	230V
Color	Blue

### Technical data

Protection Degree (IK)	IK09
Impact shock resistance	Strong
Fire resistance (GWEPT)	750 °C
Heat resistance (Ball pressure)	125 °C
Ambient operating temperature	-5 °C ; +40 °C
Dimensional stability	-25 °C -> +80 °C
Free of halogens	Yes

### Regulations

CE marking	Yes
UK marking	Yes
CMim marking	Yes

According to Regulations UNE/EN	UNE-EN 60309-1:2023 UNE-EN 60309-2:2023
In accordance with the Low Voltage Electrotechnical Regulations (REBT)	Yes
According to European Directive 2014/35 / EU. Low voltage directive	Yes

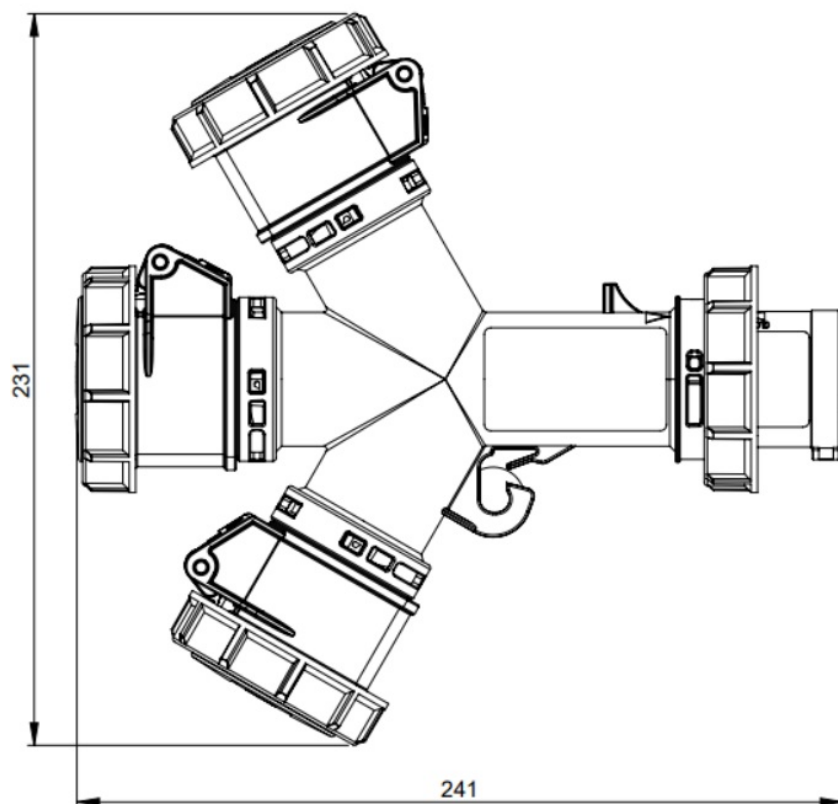
## Sustainability

According to European Directive 2011/65/UE (RoHS)	Yes
According to European Directive 2012/19/UE (RAEE2)	Yes
According to Regulations (RoHS)	UNE-EN IEC 63000:2022

## Logistics and packaging

Unit EAN code	8423220043480
EAN code container	8423220043480
EAN code packaging	18423220043487
Units packaging	1
Units carton	5
Pallet Units	99999
Packaging Measures cm	36x27,5x18,5
Unit weight (g)	581
Container Weight (Kg)	0,581
Packaging Weight (Kg)	2,905
Tariff code	85366990

## Sketch



## Documentation and downloads



Safety Information (0.38MB)