

## Industrial triple adapter 2P+E, 16A 230V~.

Triple industrial adapter with 2P+T plug (6h), two industrial outlets (6h) and one domestic Schuko socket. Rated for 16A at 230V~ and up to 3680W. Features IP44 protection against dust and splashes. Ideal for powering both industrial and domestic devices at the same time in workshops, job sites, events or temporary setups.



### Features

Common applications	Industrial environments (factories, warehouses, etc.)
No. of poles	2P + T
Type of terminal connection	Screw connection
Earth position	6h
Nominal current	16A
Nominal voltage	230V
Color	Blue

### Technical data

Protection Degree (IK)	IK09
Impact shock resistance	Strong
Fire resistance (GWEPT)	750 °C
Heat resistance (Ball pressure)	125 °C
Ambient operating temperature	-5 °C ; +40 °C
Dimensional stability	-25 °C -> +80 °C
Free of halogens	Yes

### Regulations

CE marking	Yes
UK marking	Yes
CMim marking	Yes

According to Regulations UNE/EN	UNE-EN 60309-1:2023 UNE-EN 60309-2:2023
In accordance with the Low Voltage Electrotechnical Regulations (REBT)	Yes
According to European Directive 2014/35 / EU. Low voltage directive	Yes

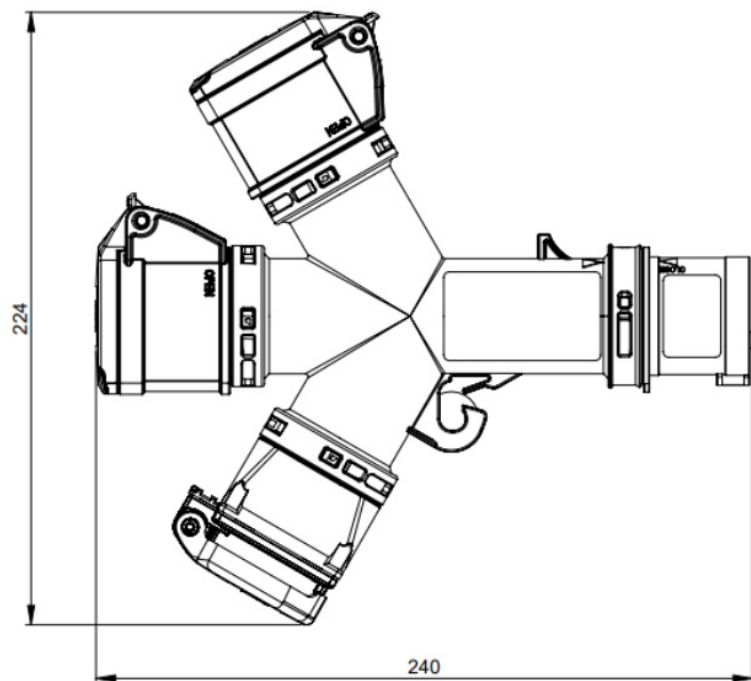
## Sustainability

According to European Directive 2011/65/UE (RoHS)	Yes
According to European Directive 2012/19/UE (RAEE2)	Yes
According to Regulations (RoHS)	UNE-EN IEC 63000:2022

## Logistics and packaging

Unit EAN code	8423220043497
EAN code container	8423220043497
EAN code packaging	18423220043494
Units packaging	1
Units carton	5
Pallet Units	99999
Packaging Measures cm	33x26x17
Unit weight (g)	481,8
Container Weight (Kg)	0,4818
Packaging Weight (Kg)	2,619
Tariff code	85366990

## Sketch



## Documentation and downloads



Safety Information (0.38MB)