

Adapter – industrial extension 2P+E, 16A 230V~MAX 3680W, IP44 (6h industrial plug and schuko domestic socket).

Industrial adapter–extension with 2P+T industrial plug (6h) and domestic Schuko socket. Rated at 16A, 230V~ with IP44 protection, resistant to dust and splashes. Handles up to 3680W, making it suitable for connecting regular devices to industrial networks in workshops and construction sites.



Features

Common applications	Industrial environments (factories, warehouses, etc.)
No. of poles	2P + T
Type of terminal connection	Screw connection
Earth position	6h
Nominal current	16A
Nominal voltage	230V
Color	Blue

Technical data

Protection Degree (IK)	IK09
Impact shock resistance	Strong
Fire resistance (GWEPT)	750 °C
Heat resistance (Ball pressure)	125 °C
Ambient operating temperature	-5 °C ; +40 °C
Dimensional stability	-25 °C -> +80 °C
Free of halogens	Yes

Regulations

CE marking	Yes
------------	-----

UK marking	Yes
CMim marking	Yes
According to Regulations UNE/EN	UNE-EN 60309-1:2023 UNE-EN 60309-2:2023
In accordance with the Low Voltage Electrotechnical Regulations (REBT)	Yes
According to European Directive 2014/35 / EU. Low voltage directive	Yes

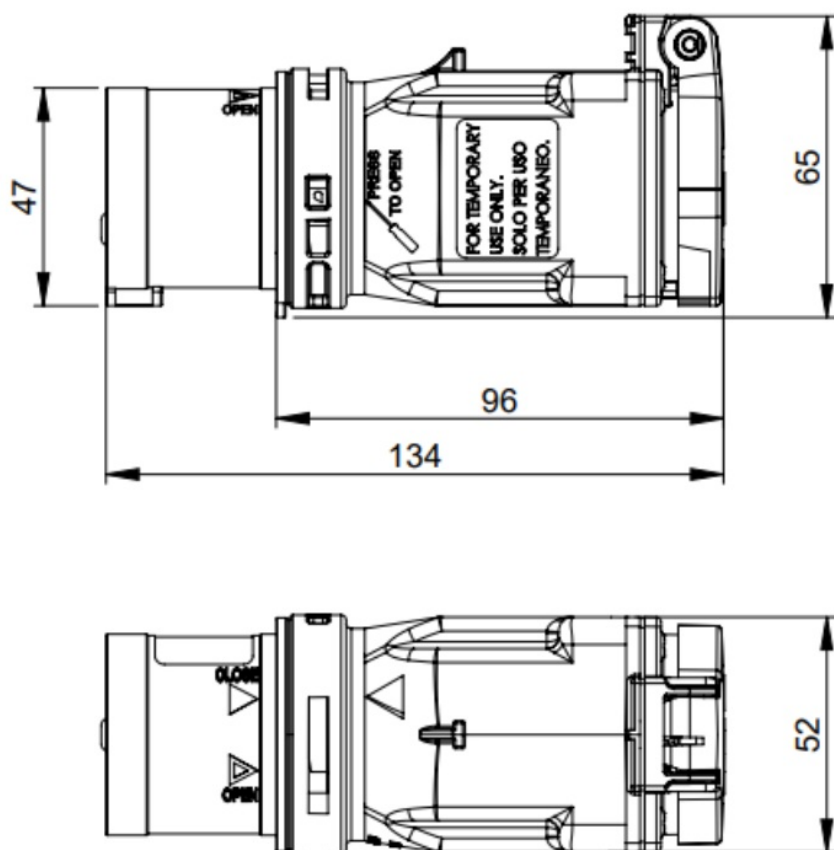
Sustainability

According to European Directive 2011/65/UE (RoHS)	Yes
According to European Directive 2012/19/UE (RAEE2)	Yes
According to Regulations (RoHS)	UNE-EN IEC 63000:2022

Logistics and packaging

Unit EAN code	8423220044470
EAN code container	8423220044470
EAN code packaging	18423220044477
Units packaging	1
Units carton	10
Pallet Units	99999
Packaging Measures cm	29x18,5x14
Unit weight (g)	176
Container Weight (Kg)	0,176
Packaging Weight (Kg)	1,895
Tariff code	85366990

Sketch



Documentation and downloads



Safety Information (0.38MB)