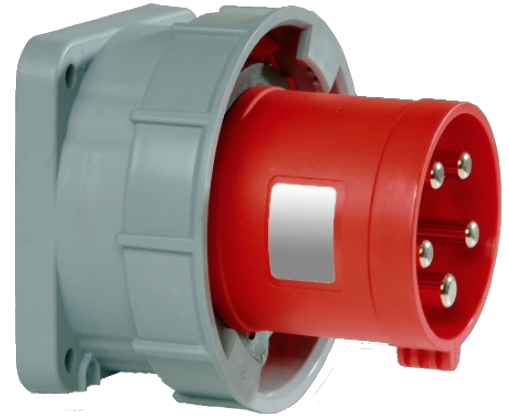


Industrial flush plug 3P+E, 125A 400V~. IP67

Industrial flush-mount plug with 3 poles + earth, rated at 125A 400V~. Designed for high-power equipment and control panels in harsh industrial settings. IP67 protection ensures durability against water, dust and mechanical stress. Safe and stable connection.



Features

Common applications	Industrial environments (factories, warehouses, etc.)
Type	Straight fitted industrial plug
No. of poles	3P + T
Type of terminal connection	Screw connection
Earth position	6h
Nominal current	125A
Nominal voltage	400V
Color	Red

Technical data

Protection Degree (IK)	IK09
Impact shock resistance	Strong
Fire resistance (GWEPT)	850 °C
Heat resistance (Ball pressure)	125 °C
Ambient operating temperature	-5 °C ; +40 °C
Dimensional stability	-25 °C -> +80 °C
Free of halogens	Yes

Regulations

CE marking	Yes
------------	-----

UK marking	Yes
CMim marking	Yes
According to Regulations UNE/EN	UNE-EN 60309-1:2023 UNE-EN 60309-2:2023
In accordance with the Low Voltage Electrotechnical Regulations (REBT)	Yes
According to European Directive 2014/35 / EU. Low voltage directive	Yes

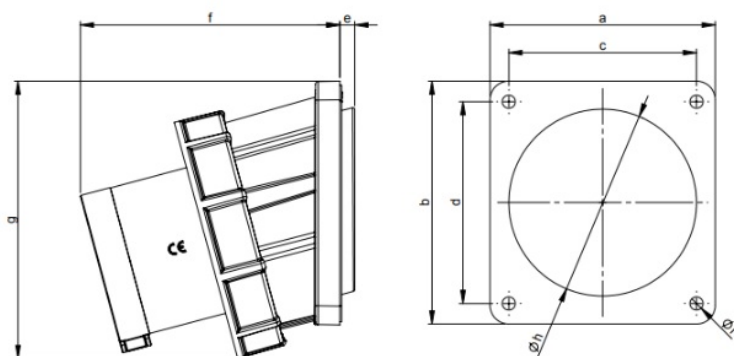
Sustainability

According to European Directive 2011/65/UE (RoHS)	Yes
According to European Directive 2012/19/UE (RAEE2)	Yes
According to Regulations (RoHS)	UNE-EN IEC 63000:2022

Logistics and packaging

Unit EAN code	8423220064393
EAN code container	8423220064393
EAN code packaging	18423220064390
Units packaging	1
Units carton	2
Pallet Units	99999
Packaging Measurements cm	102x3x3
Packaging Measures cm	10,2x14x12
Unit weight (g)	942,8
Container Weight (Kg)	0,9428
Packaging Weight (Kg)	2,4946
Tariff code	85366990

Sketch



Ampere	125		
Pole	3	4	5
a [mm]	120	120	120
b [mm]	130	130	130
c [mm]	100	100	100
d [mm]	108	108	108
e [mm]	8	8	8
f [mm]	139	139	139
g [mm]	145	145	145
h [mm]	100	100	100
i [mm]	7	7	7



Documentation and downloads



Safety Information (0.38MB)