

## Industrial flush plug 3P+N+E, 32A 400V~. IP44

Industrial panel-mount plug with 3 poles + neutral + earth, rated at 32A 400V~. Designed for secure fixed installations in control panels or industrial machinery. The IP44 rating offers protection against dust and splashes. Ensures durable and stable connection in technical environments.



### Features

Common applications	Industrial environments (factories, warehouses, etc.)
Type	Straight fitted industrial plug
No. of poles	3P + N + T
Type of terminal connection	Screw connection
Earth position	6h
Frame for Indubox	TA1300C/1
Nominal current	32A
Nominal voltage	400V
Color	Red

### Technical data

Protection Degree (IK)	IK09
Impact shock resistance	Strong
Fire resistance (GWEPT)	850 °C
Heat resistance (Ball pressure)	125 °C
Ambient operating temperature	-5 °C ; +40 °C
Dimensional stability	-25 °C -> +80 °C
Free of halogens	Yes

## Regulations

CE marking	Yes
UK marking	Yes
CMim marking	Yes
According to Regulations UNE/EN	UNE-EN 60309-1:2023 UNE-EN 60309-2:2023
In accordance with the Low Voltage Electrotechnical Regulations (REBT)	Yes
According to European Directive 2014/35 / EU. Low voltage directive	Yes

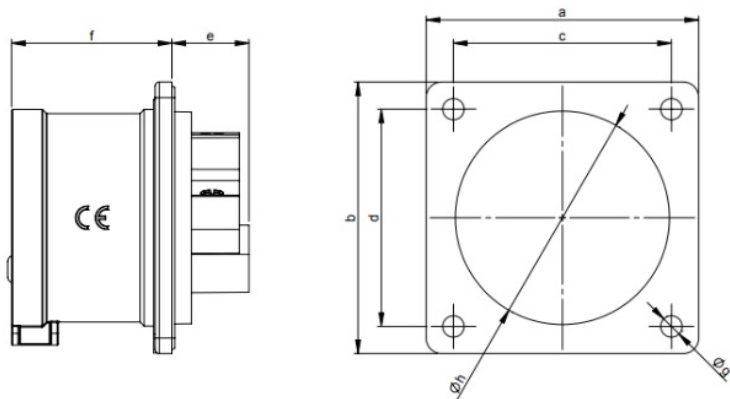
## Sustainability

According to European Directive 2011/65/UE (RoHS)	Yes
According to European Directive 2012/19/UE (RAEE2)	Yes
According to Regulations (RoHS)	UNE-EN IEC 63000:2022

## Logistics and packaging

Unit EAN code	8423220046405
EAN code container	8423220046405
EAN code packaging	18423220046402
Units packaging	1
Units carton	10
Pallet Units	99999
Packaging Measures cm	28,5x19x13,5
Unit weight (g)	165,4
Container Weight (Kg)	0,1654
Packaging Weight (Kg)	1,787
Tariff code	85366990

## Sketch



Ampere	16			32		
	3	4	5	3	4	5
a x b [mm]	70	70	70	70	70	70
c x d [mm]	56	56	56	56	56	56
e [mm]	21	21	20	21	21	21
f [mm]	42	42	42	51	51	51
g [mm]	5,5	5,5	5,5	5,5	5,5	5,5
h [mm]	43	43	55	55	55	55



## Documentation and downloads



Safety Information (0.38MB)