

Industrial flush plug 3P+E, 16A 400V~. IP44

Panel-mount industrial plug with 3 poles + earth, rated at 16A 400V~. Designed for fixed installation in industrial enclosures or panels. IP44 protection makes it suitable for environments with occasional exposure to dust and splashes. Ideal for control panels and machinery.



Features

Common applications	Industrial environments (factories, warehouses, etc.)
Type	Straight fitted industrial plug
No. of poles	3P + T
Type of terminal connection	Screw connection
Earth position	6h
Frame for Indubox	TA1300C/1
Nominal current	16A
Nominal voltage	400V
Color	Red

Technical data

Protection Degree (IK)	IK09
Impact shock resistance	Strong
Fire resistance (GWEPT)	850 °C
Heat resistance (Ball pressure)	125 °C
Ambient operating temperature	-5 °C ; +40 °C
Dimensional stability	-25 °C -> +80 °C
Free of halogens	Yes

Regulations

CE marking	Yes
UK marking	Yes
CMim marking	Yes
According to Regulations UNE/EN	UNE-EN 60309-1:2023 UNE-EN 60309-2:2023
In accordance with the Low Voltage Electrotechnical Regulations (REBT)	Yes
According to European Directive 2014/35 / EU. Low voltage directive	Yes

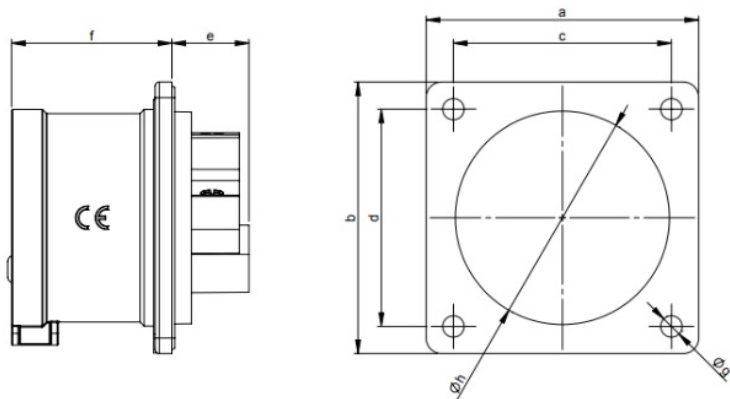
Sustainability

According to European Directive 2011/65/UE (RoHS)	Yes
According to European Directive 2012/19/UE (RAEE2)	Yes
According to Regulations (RoHS)	UNE-EN IEC 63000:2022

Logistics and packaging

Unit EAN code	8423220046368
EAN code container	8423220046368
EAN code packaging	18423220046365
Units packaging	1
Units carton	10
Pallet Units	99999
Packaging Measures cm	28,5x19x13,5
Unit weight (g)	106
Container Weight (Kg)	0,106
Packaging Weight (Kg)	1,193
Tariff code	85366990

Sketch



Ampere	16			32		
	3	4	5	3	4	5
a x b [mm]	70	70	70	70	70	70
c x d [mm]	56	56	56	56	56	56
e [mm]	21	21	20	21	21	21
f [mm]	42	42	42	51	51	51
g [mm]	5,5	5,5	5,5	5,5	5,5	5,5
h [mm]	43	43	55	55	55	55



Documentation and downloads



Safety Information (0.38MB)