

Industrial flush plug 2P+E, 16A 230V~. IP44

Industrial plug with flush-mounted design, suitable for wall or panel installation. It features 2 poles + earth and is rated for 16A at 230V~. With an IP44 protection rating, it provides resistance against dust and splashing water, making it suitable for indoor or semi-covered industrial settings. A robust and secure connection solution for electrical panels and technical areas.



Features

Common applications	Industrial environments (factories, warehouses, etc.)
Type	Straight fitted industrial plug
No. of poles	2P + T
Type of terminal connection	Screw connection
Earth position	6h
Frame for Indubox	TA1300C/1
Nominal current	16A
Nominal voltage	230V
Color	Blue

Technical data

Protection Degree (IK)	IK09
Impact shock resistance	Strong
Fire resistance (GWEPT)	850 °C
Heat resistance (Ball pressure)	125 °C
Ambient operating temperature	-5 °C ; +40 °C
Dimensional stability	-25 °C -> +80 °C
Free of halogens	Yes

Regulations

CE marking	Yes
UK marking	Yes
CMim marking	Yes
According to Regulations UNE/EN	UNE-EN 60309-1:2023 UNE-EN 60309-2:2023
In accordance with the Low Voltage Electrotechnical Regulations (REBT)	Yes
According to European Directive 2014/35 / EU. Low voltage directive	Yes

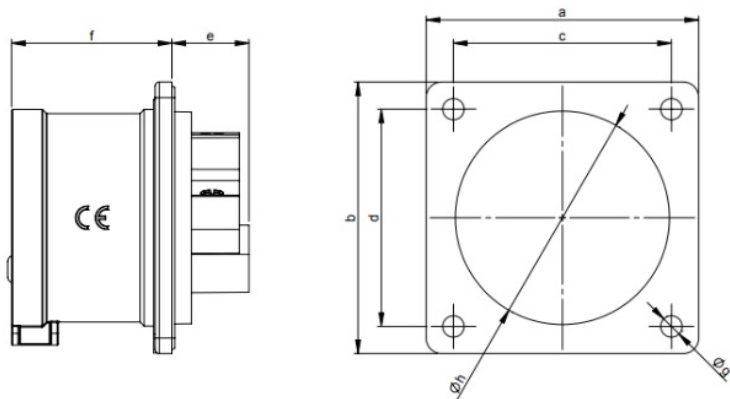
Sustainability

According to European Directive 2011/65/UE (RoHS)	Yes
According to European Directive 2012/19/UE (RAEE2)	Yes
According to Regulations (RoHS)	UNE-EN IEC 63000:2022

Logistics and packaging

Unit EAN code	8423220046351
EAN code container	8423220046351
EAN code packaging	18423220046358
Units packaging	1
Units carton	10
Pallet Units	99999
Packaging Measures cm	28,5x19x13,5
Unit weight (g)	86,8
Container Weight (Kg)	0,0868
Packaging Weight (Kg)	1,001
Tariff code	85366990

Sketch



Ampere	16			32		
Pole	3	4	5	3	4	5
a x b [mm]	70	70	70	70	70	70
c x d [mm]	56	56	56	56	56	56
e [mm]	21	21	20	21	21	21
f [mm]	42	42	42	51	51	51
g [mm]	5,5	5,5	5,5	5,5	5,5	5,5
h [mm]	43	43	55	55	55	55



Documentation and downloads



Safety Information (0.38MB)