

Angled industrial flush socket 3P+N+E, 125A 400V~. IP67.

Flush-mounted industrial base with angled design, featuring 3 poles + neutral + earth, rated at 125A 400V~. IP67 protection makes it suitable for dusty, wet, or demanding environments. Ideal for heavy machinery and industrial power systems.



Features

Common applications	Industrial environments (factories, warehouses, etc.)
Type	Fitted socket outlet
No. of poles	3P + N + T
Type of terminal connection	Screw connection
Earth position	6h
Nominal current	125A
Nominal voltage	400V
Color	Red

Technical data

Protection Degree (IK)	IK09
Impact shock resistance	Strong
Fire resistance (GWEPT)	850 °C
Heat resistance (Ball pressure)	125 °C
Ambient operating temperature	-5 °C ; +40 °C
Dimensional stability	-25 °C -> +80 °C
Free of halogens	Yes

Regulations

CE marking	Yes
UK marking	Yes
CMim marking	Yes
According to Regulations UNE/EN	UNE-EN 60309-1:2023 UNE-EN 60309-2:2023
In accordance with the Low Voltage Electrotechnical Regulations (REBT)	Yes
According to European Directive 2014/35 / EU. Low voltage directive	Yes

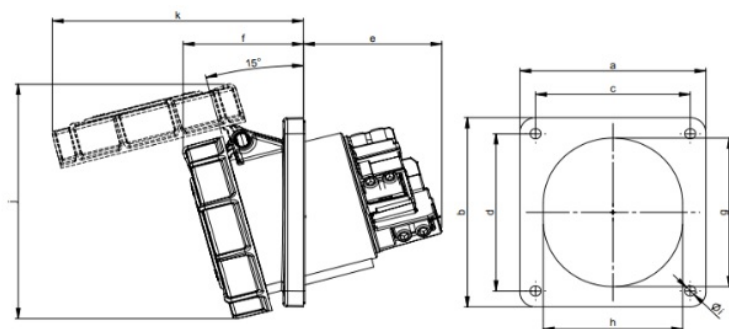
Sustainability

According to European Directive 2011/65/UE (RoHS)	Yes
According to European Directive 2012/19/UE (RAEE2)	Yes
According to Regulations (RoHS)	UNE-EN IEC 63000:2022

Logistics and packaging

Unit EAN code	8423220042995
EAN code container	8423220042995
EAN code packaging	18423220042992
Units packaging	1
Units carton	2
Pallet Units	99999
Packaging Measures cm	29x18,5x14
Unit weight (g)	1008,6
Container Weight (Kg)	1,0086
Packaging Weight (Kg)	2,1522
Tariff code	85366990

Sketch



Ampere	125		
Pole	3	4	5
a [mm]	120	120	120
b [mm]	130	130	130
c [mm]	100	100	100
d [mm]	108	108	108
e [mm]	92	92	92
f [mm]	77	77	77
g [mm]	102	102	102
h [mm]	90	90	90
i [mm]	7	7	7
j [mm]	160	160	160
k [mm]	162	162	162



Documentation and downloads



Safety Information (0.38MB)