

Angled industrial flush socket 3P+N+E, 63A 400V~. IP67.

Industrial flush-mount base with angled design, featuring 3 poles + neutral + earth, rated at 63A 400V~. IP67 protection ensures safe use in harsh industrial environments exposed to water, dust or high humidity. The inclined design supports ergonomic and reliable plug connections.



Features

Common applications	Industrial environments (factories, warehouses, etc.)
Type	Fitted socket outlet
No. of poles	3P + N + T
Type of terminal connection	Screw connection
Earth position	6h
Frame for Indubox	MR1363
Nominal current	63A
Nominal voltage	400V
Color	Red

Technical data

Protection Degree (IK)	IK09
Impact shock resistance	Strong
Fire resistance (GWEPT)	850 °C
Heat resistance (Ball pressure)	125 °C
Ambient operating temperature	-5 °C ; +40 °C
Dimensional stability	-25 °C -> +80 °C
Free of halogens	Yes

Regulations

CE marking	Yes
UK marking	Yes
CMim marking	Yes
According to Regulations UNE/EN	UNE-EN 60309-1:2023 UNE-EN 60309-2:2023
In accordance with the Low Voltage Electrotechnical Regulations (REBT)	Yes
According to European Directive 2014/35 / EU. Low voltage directive	Yes

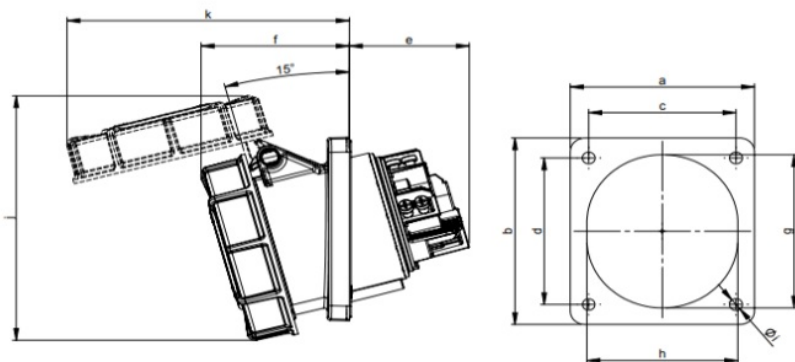
Sustainability

According to European Directive 2011/65/UE (RoHS)	Yes
According to European Directive 2012/19/UE (RAEE2)	Yes
According to Regulations (RoHS)	UNE-EN IEC 63000:2022

Logistics and packaging

Unit EAN code	8423220042988
EAN code container	8423220042988
EAN code packaging	18423220042985
Units packaging	1
Units carton	2
Pallet Units	99999
Packaging Measures cm	29x18,5x14
Unit weight (g)	594,2
Container Weight (Kg)	0,5942
Packaging Weight (Kg)	1,3234
Tariff code	85366990

Sketch



Ampere	63		
Pole	3	4	5
a [mm]	100	100	100
b [mm]	112	112	112
c [mm]	80	80	80
d [mm]	88	88	88
e [mm]	64	64	64
f [mm]	80	80	80
g [mm]	92	92	92
h [mm]	82	82	82
i [mm]	7	7	7
j [mm]	148	148	148
k [mm]	154	154	154



Documentation and downloads



Safety Information (0.38MB)