

Angled industrial flush socket 3P+N+E, 32A 400V~. IP67.

Industrial flush-mount angled base with 3 poles + neutral + earth, rated at 32A 400V~. Its IP67 rating ensures resistance to dust, humidity, and water immersion, making it ideal for demanding environments. The angled structure allows ergonomic and secure plug-in. Perfect for control panels, machinery, and outdoor use.



Features

Common applications	Industrial environments (factories, warehouses, etc.)
Type	Fitted socket outlet
No. of poles	3P + N + T
Type of terminal connection	Screw connection
Earth position	6h
Frame for Indubox	MR1332
Nominal current	32A
Nominal voltage	400V
Color	Red

Technical data

Protection Degree (IK)	IK09
Impact shock resistance	Strong
Fire resistance (GWEPT)	850 °C
Heat resistance (Ball pressure)	125 °C
Ambient operating temperature	-5 °C ; +40 °C
Dimensional stability	-25 °C -> +80 °C
Free of halogens	Yes

Regulations

CE marking	Yes
UK marking	Yes
CMim marking	Yes
According to Regulations UNE/EN	UNE-EN 60309-1:2023 UNE-EN 60309-2:2023
In accordance with the Low Voltage Electrotechnical Regulations (REBT)	Yes
According to European Directive 2014/35 / EU. Low voltage directive	Yes

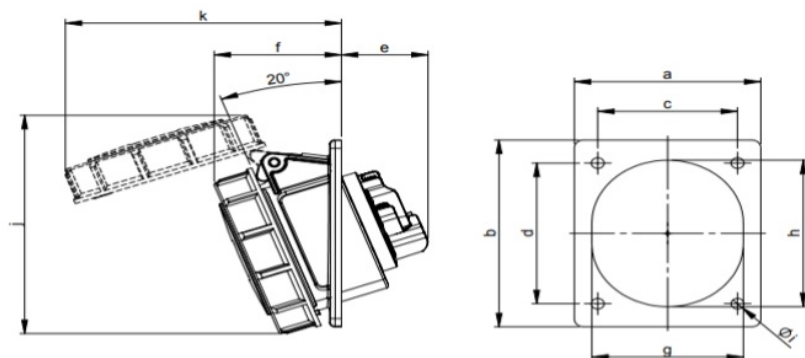
Sustainability

According to European Directive 2011/65/UE (RoHS)	Yes
According to European Directive 2012/19/UE (RAEE2)	Yes
According to Regulations (RoHS)	UNE-EN IEC 63000:2022

Logistics and packaging

Unit EAN code	8423220043046
EAN code container	8423220043046
EAN code packaging	18423220043043
Units packaging	1
Units carton	10
Pallet Units	99999
Packaging Measures cm	29x19x23
Unit weight (g)	258,2
Container Weight (Kg)	0,2582
Packaging Weight (Kg)	2,753
Tariff code	85366990

Sketch



Ampere	16			32		
Pole	3	4	5	3	4	5
a [mm]	80	80	80	80	80	80
b [mm]	97	97	97	97	97	97
c [mm]	60	60	60	60	60	60
d [mm]	73	73	73	73	73	73
e [mm]	38	38	38	48	48	48
f [mm]	50	52	55	59	59	61
g [mm]	51	56	65	65	65	70
h [mm]	61	67	76	75	75	80
i [mm]	5,5	5,5	5,5	5,5	5,5	5,5
j [mm]	102	106	114	120	120	127
k [mm]	103	110	119	127	127	133



Documentation and downloads



Safety Information (0.38MB)