

Industrial flush-mounted angled socket 3P+N+E, 16A 400V~. IP67.

Flush-mounted industrial base with angled design, featuring 3 poles + neutral + earth, rated at 16A 400V~. Its IP67 protection makes it suitable for demanding industrial environments with frequent exposure to dust, moisture, or water jets. The angled layout supports ergonomic plug connection, especially in technical or hard-to-reach areas. Ideal for electrical panels, equipment, and high-performance applications.



Features

Common applications	Industrial environments (factories, warehouses, etc.)
Type	Fitted socket outlet
No. of poles	3P + N + T
Type of terminal connection	Screw connection
Earth position	6h
Holes distance (horizontal x vertical)	60 x 73
Frame for Indubox	MR1306B
Nominal current	16A
Nominal voltage	400V
Color	Red

Technical data

Protection Degree (IK)	IK09
Impact shock resistance	Strong
Fire resistance (GWEPT)	850 °C
Heat resistance (Ball pressure)	125 °C
Ambient operating temperature	-5 °C ; +40 °C
Dimensional stability	-25 °C -> +80 °C

Free of halogens	Yes
------------------	-----

Regulations

CE marking	Yes
------------	-----

UK marking	Yes
------------	-----

CMim marking	Yes
--------------	-----

According to Regulations UNE/EN	UNE-EN 60309-1:2023 UNE-EN 60309-2:2023
---------------------------------	--

In accordance with the Low Voltage Electrotechnical Regulations (REBT)	Yes
--	-----

According to European Directive 2014/35 / EU. Low voltage directive	Yes
---	-----

Sustainability

According to European Directive 2011/65/UE (RoHS)	Yes
---	-----

According to European Directive 2012/19/UE (RAEE2)	Yes
--	-----

According to Regulations (RoHS)	UNE-EN IEC 63000:2022
---------------------------------	-----------------------

Logistics and packaging

Unit EAN code	8423220043053
---------------	---------------

EAN code container	8423220043053
--------------------	---------------

EAN code packaging	18423220043050
--------------------	----------------

Units packaging	1
-----------------	---

Units carton	10
--------------	----

Pallet Units	99999
--------------	-------

Packaging Measures cm	29x19x16,5
-----------------------	------------

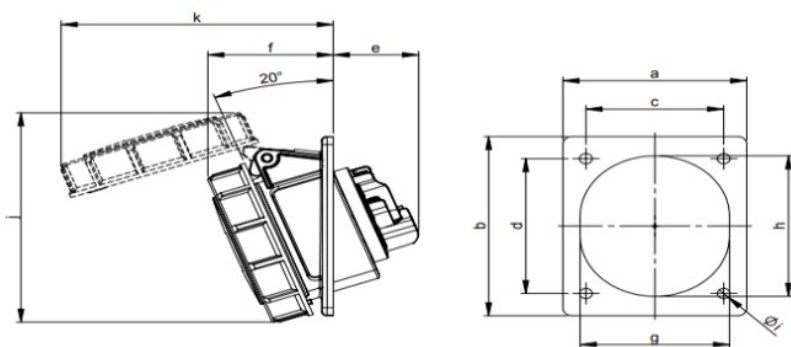
Unit weight (g)	181
-----------------	-----

Container Weight (Kg)	0,181
-----------------------	-------

Packaging Weight (Kg)	1,957
-----------------------	-------

Tariff code	85366990
-------------	----------

Sketch



Ampere	16			32		
Pole	3	4	5	3	4	5
a [mm]	80	80	80	80	80	80
b [mm]	97	97	97	97	97	97
c [mm]	60	60	60	60	60	60
d [mm]	73	73	73	73	73	73
e [mm]	38	38	38	48	48	48
f [mm]	50	52	55	59	59	61
g [mm]	51	56	65	65	65	70
h [mm]	61	67	76	75	75	80
i [mm]	5,5	5,5	5,5	5,5	5,5	5,5
j [mm]	102	106	114	120	120	127
k [mm]	103	110	119	127	127	133



Documentation and downloads



Safety Information (0.38MB)