

## Angled industrial flush socket 3P+E, 32A 400V~. IP67.

Angled industrial flush socket 3P+E, 32A 400V~. IP67.



### Features

Common applications	Industrial environments (factories, warehouses, etc.)
Type	Fitted socket outlet
No. of poles	3P + T
Type of terminal connection	Screw connection
Earth position	6h
Frame for Indubox	KIT-B
Nominal current	32A
Nominal voltage	400V
Color	Red

### Technical data

Protection Degree (IK)	IK09
Impact shock resistance	Strong
Fire resistance (GWEPT)	850 °C
Heat resistance (Ball pressure)	125 °C
Dimensional stability	-25 °C -> +80 °C
Free of halogens	Yes

### Regulations

CE marking	Yes
UK marking	Yes

CMim marking	Yes
According to Regulations UNE/EN	UNE-EN 60309-1:2023 UNE-EN 60309-2:2023
In accordance with the Low Voltage Electrotechnical Regulations (REBT)	Yes
According to European Directive 2014/35 / EU. Low voltage directive	Yes

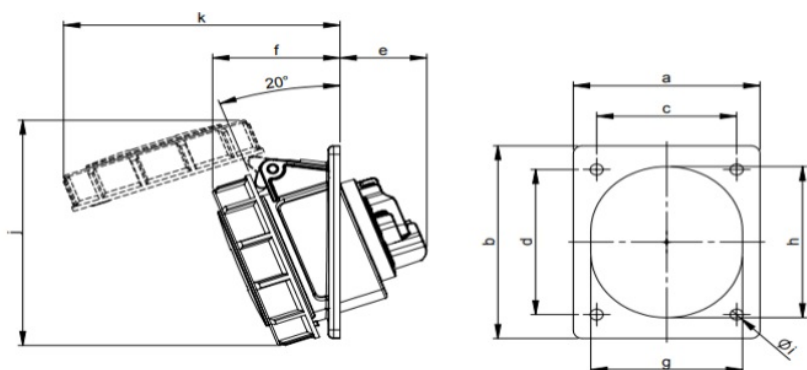
## Sustainability

According to European Directive 2011/65/UE (RoHS)	Yes
According to European Directive 2012/19/UE (RAEE2)	Yes
According to Regulations (RoHS)	UNE-EN IEC 63000:2022

## Logistics and packaging

Unit EAN code	8423220043039
EAN code container	8423220043039
Units packaging	1
Units carton	10
Pallet Units	99999
Packaging Measures cm	29x19x23
Unit weight (g)	226
Container Weight (Kg)	0,226
Packaging Weight (Kg)	2,431
Tariff code	85366990

## Sketch



Ampere	16			32		
Pole	3	4	5	3	4	5
a [mm]	80	80	80	80	80	80
b [mm]	97	97	97	97	97	97
c [mm]	60	60	60	60	60	60
d [mm]	73	73	73	73	73	73
e [mm]	38	38	38	48	48	48
f [mm]	50	52	55	59	59	61
g [mm]	51	56	65	65	65	70
h [mm]	61	67	76	75	75	80
i [mm]	5,5	5,5	5,5	5,5	5,5	5,5
j [mm]	102	106	114	120	120	127
k [mm]	103	110	119	127	127	133



## Documentation and downloads



Commercial doc. (0.86MB)



Safety Information (0.38MB)