

Angled industrial flush socket 2P+E, 63A 230V~. IP67.

Flush-mount industrial base with angled design, featuring 2 poles + earth, rated at 63A 230V~. Its IP67 protection ensures reliability in harsh environments with exposure to water or dust. The inclined format allows for ergonomic and secure plug connection, ideal for heavy-duty equipment and control panels.



Features

Common applications	Industrial environments (factories, warehouses, etc.)
Type	Fitted socket outlet
No. of poles	2P + T
Type of terminal connection	Screw connection
Earth position	6h
Frame for Indubox	MR1363
Nominal current	63A
Nominal voltage	230V
Color	Blue

Technical data

Protection Degree (IK)	IK09
Impact shock resistance	Strong
Fire resistance (GWEPT)	850 °C
Heat resistance (Ball pressure)	125 °C
Ambient operating temperature	-5 °C ; +40 °C
Dimensional stability	-25 °C -> +80 °C
Free of halogens	Yes

Regulations

CE marking	Yes
UK marking	Yes
CMim marking	Yes
According to Regulations UNE/EN	UNE-EN 60309-1:2023 UNE-EN 60309-2:2023
In accordance with the Low Voltage Electrotechnical Regulations (REBT)	Yes
According to European Directive 2014/35 / EU. Low voltage directive	Yes

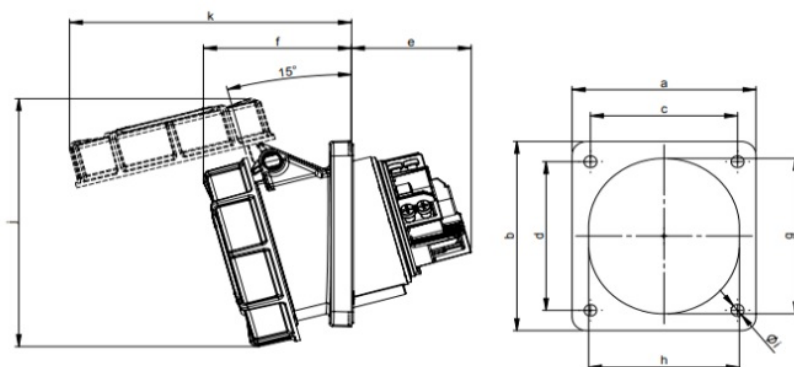
Sustainability

According to European Directive 2011/65/UE (RoHS)	Yes
According to European Directive 2012/19/UE (RAEE2)	Yes
According to Regulations (RoHS)	UNE-EN IEC 63000:2022

Logistics and packaging

Unit EAN code	8423220042964
EAN code container	8423220042964
EAN code packaging	18423220042961
Units packaging	1
Units carton	2
Pallet Units	99999
Packaging Measures cm	28,5x19x13,5
Unit weight (g)	497,4
Container Weight (Kg)	0,4974
Packaging Weight (Kg)	1,1278
Tariff code	85366990

Sketch



Ampere	63		
Pole	3	4	5
a [mm]	100	100	100
b [mm]	112	112	112
c [mm]	80	80	80
d [mm]	88	88	88
e [mm]	64	64	64
f [mm]	80	80	80
g [mm]	92	92	92
h [mm]	82	82	82
i [mm]	7	7	7
j [mm]	148	148	148
k [mm]	154	154	154



Documentation and downloads



Safety Information (0.38MB)