

Flush socket 2P+E, 16A 250V~. IP67

Flush-mounted socket with 2 poles + earth, rated at 16A 250V~. Designed for easy integration into control panels or technical surfaces. The IP67 rating ensures total protection against dust and temporary immersion in water. A reliable and safe option for use in harsh or wet environments.



Features

Common applications	Industrial environments (factories, warehouses, etc.)
Type	Fitted socket outlet (Schuko)
No. of poles	2P + T
Type of terminal connection	Screw connection
Frame for Indubox	MR1360
Nominal current	16A
Nominal voltage	250V
Color	Blue

Technical data

Protection Degree (IK)	IK09
Impact shock resistance	Strong
Fire resistance (GWEPT)	850 °C
Heat resistance (Ball pressure)	125 °C
Ambient operating temperature	-5 °C ; +40 °C
Dimensional stability	-25 °C -> +80 °C
Free of halogens	Yes

Regulations

CE marking	Yes
CMim marking	Yes
According to Regulations UNE/EN	UNE-EN 60309-1:2023 UNE-EN 60309-2:2023
In accordance with the Low Voltage Electrotechnical Regulations (REBT)	Yes
According to European Directive 2014/35 / EU. Low voltage directive	Yes

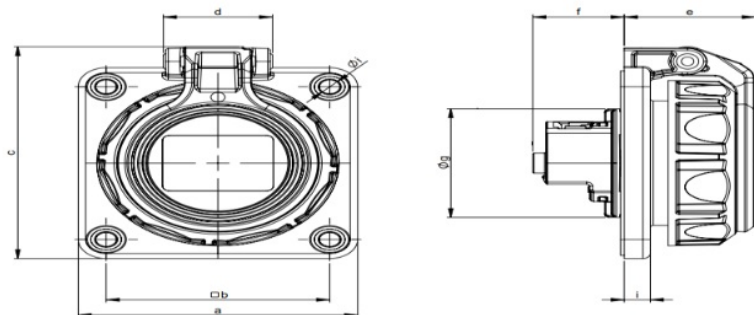
Sustainability

According to European Directive 2011/65/UE (RoHS)	Yes
According to European Directive 2012/19/UE (RAEE2)	Yes
According to Regulations (RoHS)	UNE-EN IEC 63000:2022

Logistics and packaging

Unit EAN code	8423220048072
EAN code container	8423220048072
EAN code packaging	18423220048079
Units packaging	1
Units carton	10
Pallet Units	1500
Packaging Measures cm	23x18x13
Unit weight (g)	76,4
Container Weight (Kg)	0,0764
Packaging Weight (Kg)	0,8742
Tariff code	85366990

Sketch



Ampere	16
Pole	2P+E
a [mm]	75
b [mm]	60
c [mm]	84
d [mm]	30
e [mm]	36
f [mm]	25
g [mm]	43
h [mm]	5,5
i [mm]	7



Documentation and downloads



Safety Information (0.38MB)