

Angled industrial flush socket 3P+N+E, 16A 400V~. IP44.

Flush-mounted industrial base with angled design, featuring 3 poles + neutral + earth, rated at 16A 400V~. IP44 protection makes it suitable for industrial settings with occasional exposure to dust and splashes. The angled format ensures ergonomic and secure plug connections in technical areas. Ideal for electrical panels, workshops, and control units.



Features

Common applications	Industrial environments (factories, warehouses, etc.)
Type	Fitted socket outlet
No. of poles	3P + N + T
Type of terminal connection	Screw connection
Earth position	6h
Frame for Indubox	MR1332
Nominal current	16A
Nominal voltage	400V
Color	Red

Technical data

Protection Degree (IK)	IK09
Impact shock resistance	Strong
Fire resistance (GWEPT)	850 °C
Heat resistance (Ball pressure)	125 °C
Ambient operating temperature	-5 °C ; +40 °C
Dimensional stability	-25 °C -> +80 °C
Free of halogens	Yes

Regulations

CE marking	Yes
UK marking	Yes
CMim marking	Yes
According to Regulations UNE/EN	UNE-EN 60309-1:2023 UNE-EN 60309-2:2023
In accordance with the Low Voltage Electrotechnical Regulations (REBT)	Yes
According to European Directive 2014/35 / EU. Low voltage directive	Yes

Sustainability

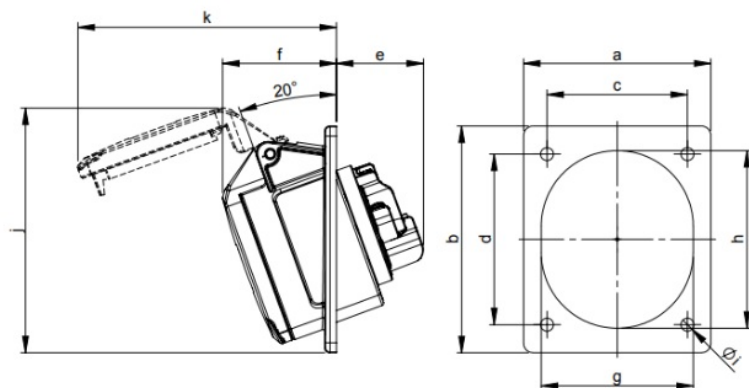
According to European Directive 2011/65/UE (RoHS)	Yes
According to European Directive 2012/19/UE (RAEE2)	Yes
According to Regulations (RoHS)	UNE-EN IEC 63000:2022

Logistics and packaging

Unit EAN code	8423220042926
EAN code container	8423220042926
EAN code packaging	18423220042923
Units packaging	1
Units carton	10
Pallet Units	99999
Packaging Measures cm	29x19x23
Unit weight (g)	155
Container Weight (Kg)	0,155
Packaging Weight (Kg)	1,721
Tariff code	85366990

Sketch

Ampere	16			32		
Pole	3	4	5	3	4	5
a [mm]	80	80	80	80	80	80
b [mm]	97	97	97	97	97	97
c [mm]	60	60	60	60	60	60
d [mm]	73	73	73	73	73	73
e [mm]	38	38	38	48	48	48
f [mm]	47	47	49	54	54	55
g [mm]	51	56	65	65	65	70
h [mm]	61	67	76	75	75	80
i [mm]	5,5	5,5	5,5	5,5	5,5	5,5
j [mm]	97	103	105	105	105	99
k [mm]	99	104	111	119	119	130



Documentation and downloads



Safety Information (0.38MB)