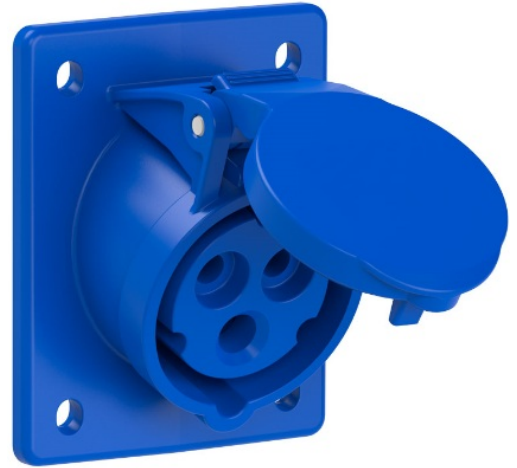


Angled industrial flush socket 2P+E, 32A 230V~. IP44.

Angled industrial flush socket 2P+E, 32A 230V~. IP44.



Features

Common applications	Industrial environments (factories, warehouses, etc.)
Type	Fitted socket outlet
No. of poles	2P + T
Type of terminal connection	Screw connection
Earth position	6h
Frame for Indubox	MR1332
Nominal current	32A
Nominal voltage	230V
Color	Blue

Technical data

Protection Degree (IK)	IK09
Impact shock resistance	Strong
Fire resistance (GWEPT)	850 °C
Heat resistance (Ball pressure)	125 °C
Ambient operating temperature	-5 °C ; +40 °C
Dimensional stability	-25 °C -> +80 °C
Free of halogens	Yes

Regulations

CE marking	Yes
According to Regulations UNE/EN	UNE-EN 60309-1:2023 UNE-EN 60309-2:2023
In accordance with the Low Voltage Electrotechnical Regulations (REBT)	Yes
According to European Directive 2014/35 / EU. Low voltage directive	Yes

Sustainability

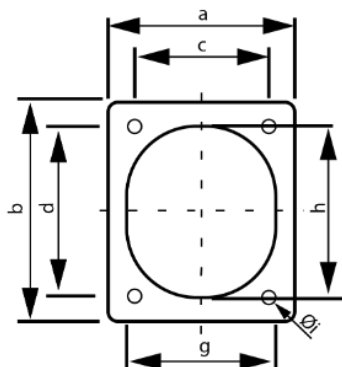
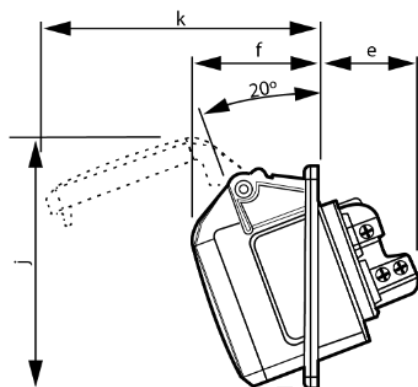
According to European Directive 2011/65/UE (RoHS)	Yes
According to European Directive 2012/19/UE (RAEE2)	Yes
According to Regulations (RoHS)	UNE-EN IEC 63000:2022

Logistics and packaging

Unit EAN code	8423220042933
EAN code container	8423220042933
EAN code packaging	18423220042930
Units packaging	1
Units carton	10
Pallet Units	99999
Packaging Measures cm	29x19x16,5
Unit weight (g)	167,8
Container Weight (Kg)	0,1678
Packaging Weight (Kg)	1,825
Tariff code	85366990

Sketch

Ampere	16			32		
Pole	3	4	5	3	4	5
a (mm)	80	80	80	80	80	80
b (mm)	97	97	97	97	97	97
c (mm)	60	60	60	60	60	60
d (mm)	73	73	73	73	73	73
e (mm)	38	38	38	48	48	48
f (mm)	47	47	49	54	54	55
g (mm)	51	56	65	65	65	70
h (mm)	61	67	76	75	75	80
i (mm)	5.5	5.5	5.5	5.5	5.5	5.5
j (mm)	97	103	105	105	105	99
k (mm)	99	104	111	199	119	130



Documentation and downloads



Safety Information (0.38MB)