

Industrial flush interlocked socket 2P+E, 16A 230V~. IP67

Flush-mounted industrial base with interlock system to prevent disconnection under load. Features 2 poles + earth, rated for 16A at 230V~. With IP67 protection, it withstands humidity, dust, and temporary water exposure. The interlock ensures power is only enabled once the plug is fully inserted. Perfect for demanding industrial applications.



Features

Common applications	Industrial environments (factories, warehouses, etc.)
No. of poles	2P + T
Type of terminal connection	Screw connection
Earth position	6h
Interlocking	Yes
Frame for Indubox	MR1300X
Nominal current	16A
Nominal voltage	230V
Color	Blue

Technical data

Protection Degree (IK)	IK09
Impact shock resistance	Strong
Fire resistance (GWEPT)	850 °C
Heat resistance (Ball pressure)	125 °C
Ambient operating temperature	-5 °C ; +40 °C
Dimensional stability	-25 °C -> +80 °C
Free of halogens	Yes

Regulations

CE marking	Yes
UK marking	Yes
CMim marking	Yes
According to Regulations UNE/EN	UNE-EN 60309-1:2023 UNE-EN 60309-2:2023
In accordance with the Low Voltage Electrotechnical Regulations (REBT)	Yes
According to European Directive 2014/35 / EU. Low voltage directive	Yes

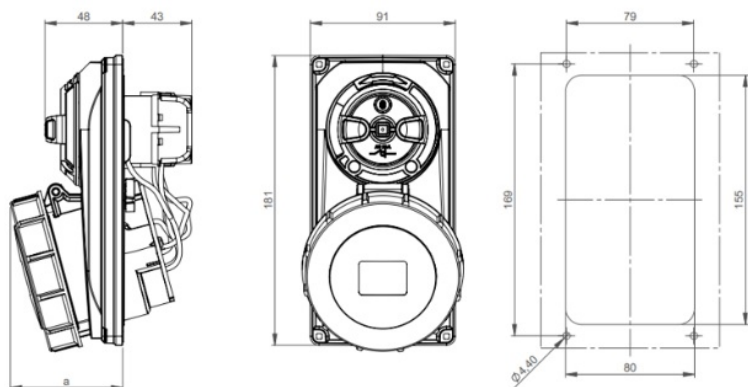
Sustainability

According to European Directive 2011/65/UE (RoHS)	Yes
According to European Directive 2012/19/UE (RAEE2)	Yes
According to Regulations (RoHS)	UNE-EN IEC 63000:2022

Logistics and packaging

Unit EAN code	8423220043374
EAN code container	8423220043374
EAN code packaging	18423220043371
Units packaging	1
Units carton	1
Pallet Units	99999
Packaging Measures cm	19,5x14x11
Packaging Weight (Kg)	0,684
Tariff code	85366990

Sketch



Ampere	16			32		
Pole	3	4	5	3	4	5
a	59	61	65	67	67	70



Documentation and downloads



Safety Information (0.38MB)