

Industrial flush interlocked socket 3P+E, 32A 400V~. IP44

Flush-mounted industrial base with interlock system to prevent disconnection under load. It includes 3 poles + earth, rated at 32A 400V~. IP44 protection makes it suitable for areas with moderate dust or moisture. The interlock ensures power is enabled only when the plug is securely connected. Ideal for three-phase machines, control panels, and industrial zones.



Features

Common applications	Industrial environments (factories, warehouses, etc.)
No. of poles	3P + T
Type of terminal connection	Screw connection
Earth position	6h
Interlocking	Yes
Frame for Indubox	MR1300X
Nominal current	32A
Nominal voltage	400V
Color	Red

Technical data

Protection Degree (IK)	IK09
Impact shock resistance	Strong
Fire resistance (GWEPT)	850 °C
Heat resistance (Ball pressure)	125 °C
Ambient operating temperature	-5 °C ; +40 °C
Dimensional stability	-25 °C -> +80 °C
Free of halogens	Yes

Regulations

CE marking	Yes
UK marking	Yes
CMim marking	Yes
According to Regulations UNE/EN	UNE-EN 60309-1:2023 UNE-EN 60309-2:2023
In accordance with the Low Voltage Electrotechnical Regulations (REBT)	Yes
According to European Directive 2014/35 / EU. Low voltage directive	Yes

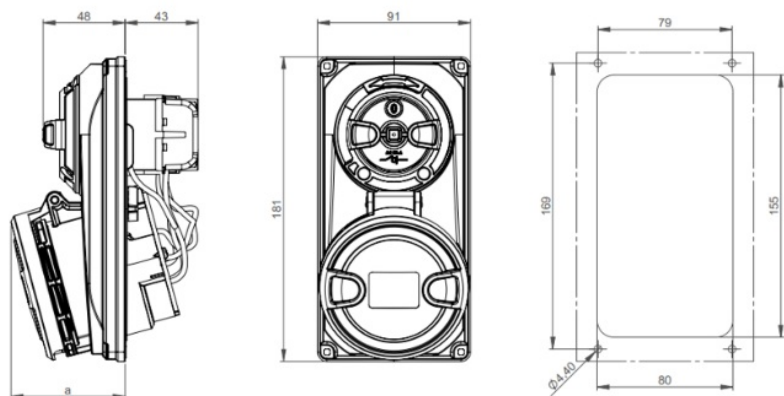
Sustainability

According to European Directive 2011/65/UE (RoHS)	Yes
According to European Directive 2012/19/UE (RAEE2)	Yes
According to Regulations (RoHS)	UNE-EN IEC 63000:2022

Logistics and packaging

Unit EAN code	8423220043350
EAN code container	8423220043350
EAN code packaging	18423220043357
Units packaging	1
Units carton	1
Pallet Units	99999
Packaging Measures cm	19,5x14x11
Packaging Weight (Kg)	0,7162
Tariff code	85366990

Sketch



Ampere	16			32		
Pole	3	4	5	3	4	5
a	58	60	61	66	66	67



Documentation and downloads



Safety Information (0.38MB)