

## Industrial flush interlocked socket 3P+E, 16A 400V~. IP44

Flush-mounted industrial base with interlock system to prevent disconnection under load. Features 3 poles + earth, rated at 16A 400V~. IP44 protection ensures safe use in industrial areas with occasional dust or moisture. The interlock mechanism guarantees a secure plug-in before current flows. Ideal for electrical panels, three-phase machinery, and technical work zones.



### Features

Common applications	Industrial environments (factories, warehouses, etc.)
No. of poles	3P + T
Type of terminal connection	Screw connection
Earth position	6h
Interlocking	Yes
Frame for Indubox	MR1300X
Nominal current	16A
Nominal voltage	400V
Color	Red

### Technical data

Protection Degree (IK)	IK09
Impact shock resistance	Strong
Fire resistance (GWEPT)	850 °C
Heat resistance (Ball pressure)	125 °C
Ambient operating temperature	-5 °C ; +40 °C
Dimensional stability	-25 °C -> +80 °C
Free of halogens	Yes

## Regulations

CE marking	Yes
UK marking	Yes
CMim marking	Yes
According to Regulations UNE/EN	UNE-EN 60309-1:2023 UNE-EN 60309-2:2023
In accordance with the Low Voltage Electrotechnical Regulations (REBT)	Yes
According to European Directive 2014/35 / EU. Low voltage directive	Yes

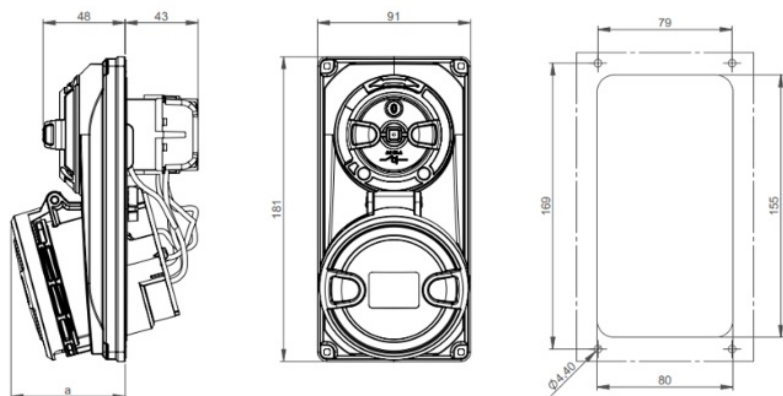
## Sustainability

According to European Directive 2011/65/UE (RoHS)	Yes
According to European Directive 2012/19/UE (RAEE2)	Yes
According to Regulations (RoHS)	UNE-EN IEC 63000:2022

## Logistics and packaging

Unit EAN code	8423220043329
EAN code container	8423220043329
EAN code packaging	18423220043326
Units packaging	1
Units carton	1
Pallet Units	99999
Packaging Measures cm	19,5x14x11
Packaging Weight (Kg)	0,6732
Tariff code	85366990

## Sketch



Ampere	16			32		
Pole	3	4	5	3	4	5
a	58	60	61	66	66	67



## Documentation and downloads



Safety Information (0.38MB)