

Mobile socket 2P, 10A 250V~. Black colour.

Mobile socket 2P, 10A 250V~. Black colour.



Features

Common applications	Indoor domestic / tertiary environment (Interior of home, offices, shops, etc.)
Material	Thermoplastic
Type	Mobile socket
No. of poles	2P
Type of terminal connection	Screw connection
Nominal current	10A
Grounding	No ground
Nominal current	10A
Nominal voltage	250V~
Color	Black

Technical data

Fire resistance (GWEPT)	650/750 °C
Heat resistance (Ball pressure)	70/125 °C
Free of halogens	Yes

Regulations

CE marking	Yes
According to Regulations UNE/EN	UNE-20315-1-1:2017; UNE-20315-1-2:2017
In accordance with the Low Voltage Electrotechnical Regulations (REBT)	Yes

In accordance with the Regulation (EU) 2023/988 of the European Parliament and of the Council on general product safety	Yes
---	-----

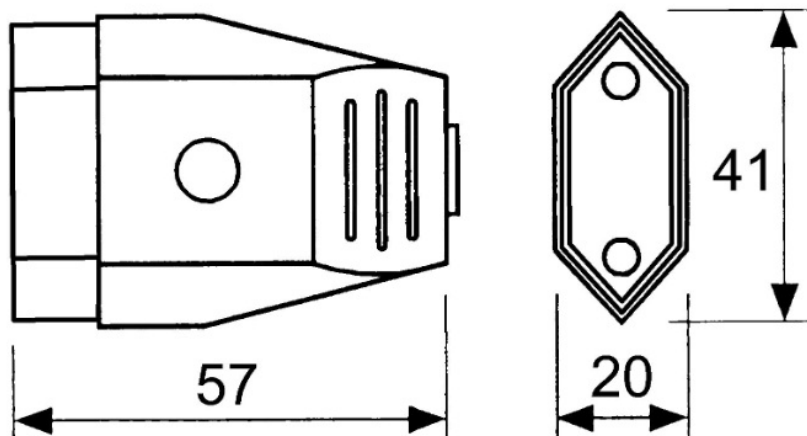
Sustainability

According to European Directive 2011/65/UE (RoHS)	Yes
According to European Directive 2012/19/UE (RAEE2)	Yes
According to Regulations (RoHS)	UNE-EN IEC 63000:2022

Logistics and packaging

Unit EAN code	8423220079403
EAN code container	8423220034662
EAN code packaging	18423220034669
Units packaging	65
Units carton	520
Pallet Units	18200
Packaging Measurements cm	17,8x14,3x19
Packaging Measures cm	59,5x37,5x20
Unit weight (g)	31,8
Container Weight (Kg)	2,1635
Packaging Weight (Kg)	17,848
Tariff code	85366990

Sketch



Documentation and downloads



Commercial doc. (0.27MB)



Safety Information (0.38MB)