

Plug 2P+E 16A 250V~. White colour.

Plug 2P+E 16A 250V~. White colour. With double earth system.



Features

Common applications	Indoor domestic / tertiary environment (Interior of home, offices, shops, etc.)
Material	Thermoplastic
Type	Plug
No. of poles	2P + T
Type of terminal connection	Screw connection
Nominal current	16A
Grounding	Double system
Nominal current	16A
Nominal voltage	250V~
Color	White

Technical data

Fire resistance (GWEPT)	650/750 °C
Heat resistance (Ball pressure)	70/125 °C
Free of halogens	Yes

Regulations

CE marking	Yes
CMim marking	Yes
According to Regulations UNE/EN	UNE-20315-1-1:2017; UNE-20315-1-2:2017
In accordance with the Low Voltage Electrotechnical Regulations (REBT)	Yes

In accordance with the Regulation (EU) 2023/988 of the European Parliament and of the Council on general product safety	Yes
---	-----

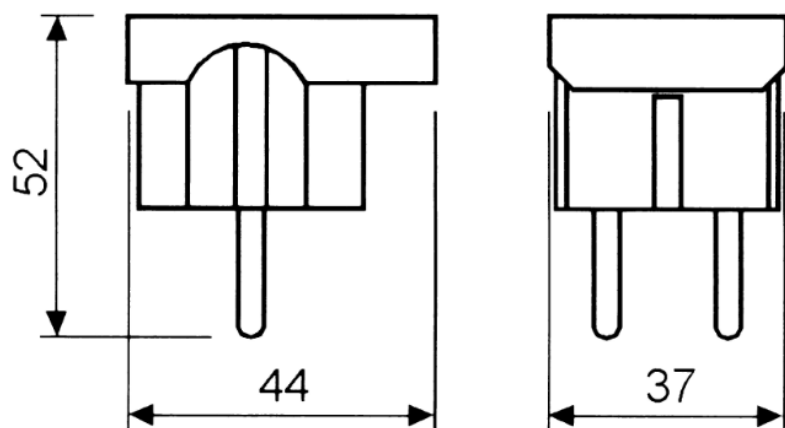
Sustainability

According to European Directive 2011/65/UE (RoHS)	Yes
According to European Directive 2012/19/UE (RAEE2)	Yes
According to Regulations (RoHS)	UNE-EN IEC 63000:2022

Logistics and packaging

Unit EAN code	8423220079571
EAN code container	8423220004122
EAN code packaging	18423220004129
Units packaging	25
Units carton	400
Pallet Units	14000
Packaging Measurements cm	14,5x8,8x19
Packaging Measures cm	59,5x37,5x20
Unit weight (g)	34,2
Container Weight (Kg)	0,9191
Packaging Weight (Kg)	15,2456
Tariff code	85366990

Sketch



Documentation and downloads



Commercial doc. (0.27MB)



Safety Information (0.38MB)