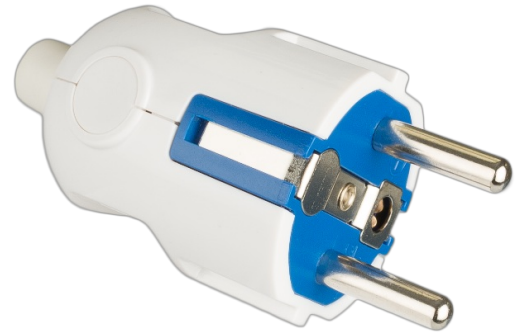


Plug 2P+E 16A 250V~. White colour.

Plug 2P+E 16A 250V~. White colour.



Features

| | |
|-----------------------------|---|
| Common applications | Domestic / tertiary outdoor environment (garden, swimming pool, parking, public road, etc.) |
| Material | Thermoplastic |
| Type | Plug |
| No. of poles | 2P + T |
| Type of terminal connection | Screw connection |
| Nominal current | 16A |
| Grounding | Double system |
| Nominal current | 16A |
| Nominal voltage | 250V~ |
| Color | White |

Technical data

| | |
|---------------------------------|------------|
| Fire resistance (GWEPT) | 650/750 °C |
| Heat resistance (Ball pressure) | 70/125 °C |
| Free of halogens | Yes |

Regulations

| | |
|--|--|
| CE marking | Yes |
| CMim marking | Yes |
| According to Regulations UNE/EN | UNE-20315-1-1:2017; UNE-20315-1-2:2017 |
| In accordance with the Low Voltage Electrotechnical Regulations (REBT) | Yes |

| | |
|---|-----|
| In accordance with the Regulation (EU) 2023/988 of the European Parliament and of the Council on general product safety | Yes |
|---|-----|

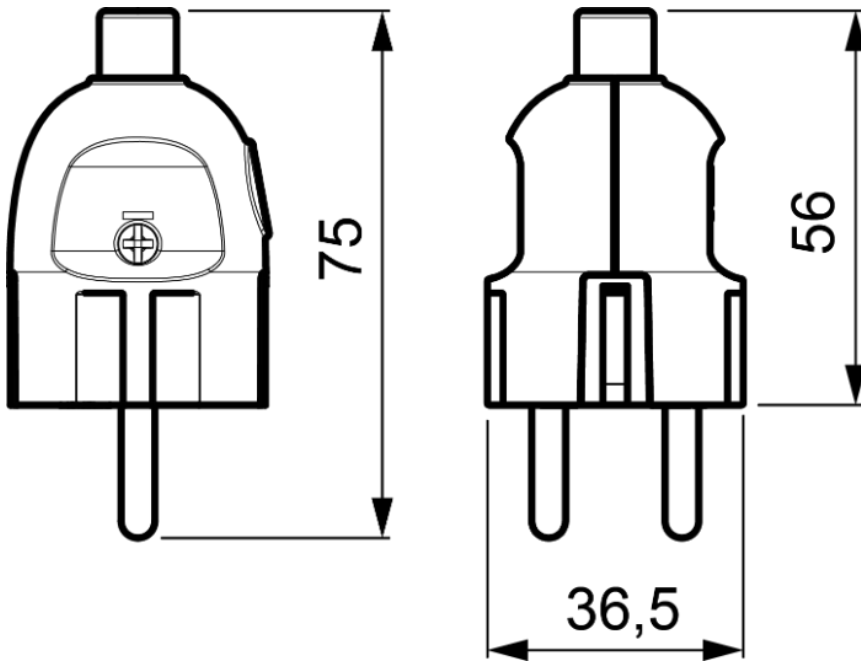
Sustainability

| | |
|--|-----------------------|
| According to European Directive 2011/65/UE (RoHS) | Yes |
| According to European Directive 2012/19/UE (RAEE2) | Yes |
| According to Regulations (RoHS) | UNE-EN IEC 63000:2022 |

Logistics and packaging

| | |
|---------------------------|----------------|
| Unit EAN code | 8423220216969 |
| EAN code container | 8423220216877 |
| EAN code packaging | 18423220216874 |
| Units packaging | 23 |
| Units carton | 368 |
| Pallet Units | 12880 |
| Packaging Measurements cm | 14,5x8,8x19 |
| Packaging Measures cm | 59,5x37,5x20 |
| Unit weight (g) | 33 |
| Container Weight (Kg) | 0,0971 |
| Packaging Weight (Kg) | 13,7096 |
| Tariff code | 85366990 |

Sketch



Documentation and downloads



Commercial doc. (0.27MB)



Safety Information (0.38MB)