

Plug 2P+E 16A 250V~. Black colour.

Plug 2P+E 16A 250V~. Black colour. With double earth system.
Common applications: Indoor domestic / tertiary environment (Interior of home, offices, shops, etc.)



Features

Material	Thermoset
Type	Plug
No. of poles	2P + T
Type of terminal connection	Screw connection
Nominal current	16A
Grounding	Double system
Nominal current	16A
Nominal voltage	250V~
Color	White

Technical data

Fire resistance (GWT)	650/750°C
Heat resistance (Ball pressure)	70/125°C
Free of halogens	Yes

Regulations

CE marking	Yes
CMim marking	Yes
According to Regulations UNE/EN	UNE-20315-1-1:2017; UNE-20315-1-2:2017
According to REBT	Yes
According to European Directive 2014/35 / EU. Low voltage directive	Not applicable

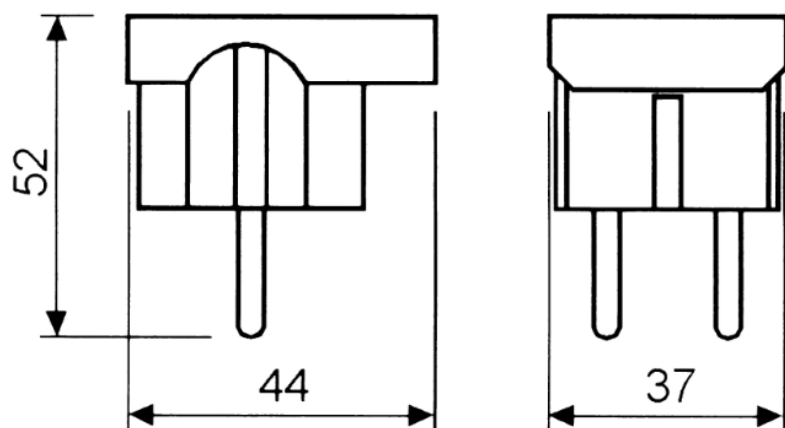
Sustainability

According to European Directive 2011/65/UE (RoHS)	Yes (Complies with UNE EN 50581)
According to European Directive 2012/19/UE (RAEE2)	Yes

Logistics and packaging

Unit EAN code	8423220200975
EAN code container	8423220080706
EAN code packaging	18423220080703
Units Container	25
Units Packaging	400
Pallet Units	14000
Packaging Measurements cm	14,5x19x8,8
Packaging Measures cm	59,5x20x37,5
Unit weight (gr)	34
Container Weight (Kg)	0,92
Packaging Weight (Kg)	15,25
Tariff code	85366990

Sketch



Documentation and downloads



[Commercial doc. \(1.23MB\)](#)