

Plug 2P+E, 25A 250V~. White colour

Plug 2P+E, 25A 250V~. White colour Flush. For kitchen.

**Features**

Common applications	Indoor domestic / tertiary environment (Interior of home, offices, shops, etc.)
Material	Thermoplastic
Type	Plug for kitchen
No. of poles	2P + T
Type of terminal connection	Screw connection
Nominal current	25A
Grounding	Side spike
Nominal current	25A
Nominal voltage	250V~
Color	White

Technical data

Fire resistance (GWEPT)	650/750 °C
Heat resistance (Ball pressure)	70/125 °C
Free of halogens	Yes

Regulations

CE marking	Yes
CMim marking	Yes
According to Regulations UNE/EN	UNE-20315-1-1:2017; UNE-20315-1-2:2017

In accordance with the Low Voltage Electrotechnical Regulations (REBT)	Yes
--	-----

In accordance with the Regulation (EU) 2023/988 of the European Parliament and of the Council on general product safety	Yes
---	-----

Sustainability

According to European Directive 2011/65/UE (RoHS)	Yes
---	-----

According to European Directive 2012/19/UE (RAEE2)	Yes
--	-----

According to Regulations (RoHS)	UNE-EN IEC 63000:2022
---------------------------------	-----------------------

Logistics and packaging

Unit EAN code	8423220235595
---------------	---------------

EAN code container	8423220235571
--------------------	---------------

EAN code packaging	18423220235578
--------------------	----------------

Units packaging	9
-----------------	---

Units carton	144
--------------	-----

Pallet Units	5040
--------------	------

Packaging Measurements cm	14,5x8,8x19
---------------------------	-------------

Packaging Measures cm	59,5x37,5x20
-----------------------	--------------

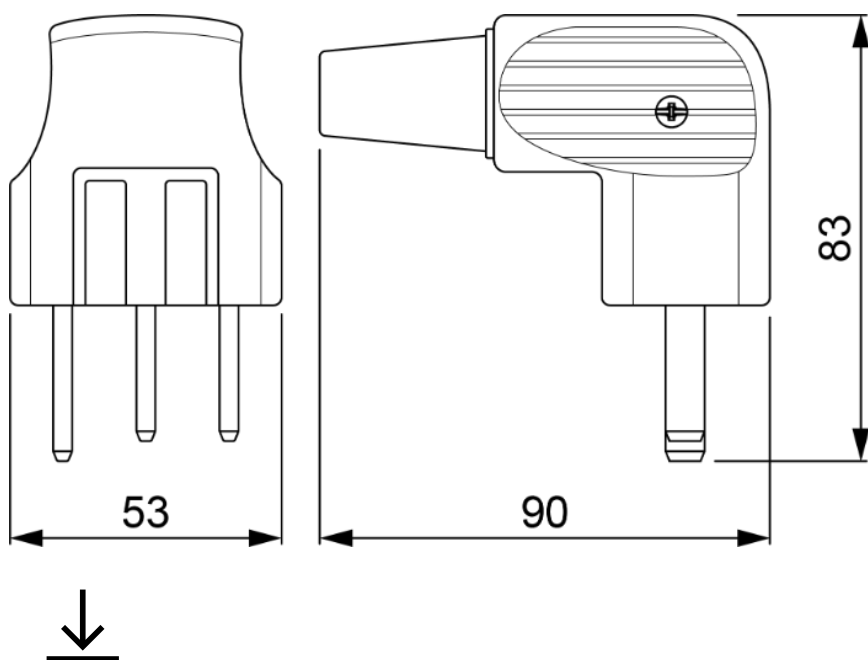
Unit weight (g)	14,51
-----------------	-------

Container Weight (Kg)	0,19469
-----------------------	---------

Packaging Weight (Kg)	3,65504
-----------------------	---------

Tariff code	85366990
-------------	----------

Sketch



Documentation and downloads



Safety Information (0.38MB)