

Plug 2P+E , 16A 250V~. White elastomer

Plug 2P+E , 16A 250V~. White elastomer .IP44. With double earth system. Easy terminal connection.



Features

Common applications	Domestic / tertiary outdoor environment (garden, swimming pool, parking, public road, etc.)
Material	Elastomer.
Type	Plug
No. of poles	2P + T
Type of terminal connection	Screw connection
Nominal current	16A
Grounding	Double system
Folding cable tie to facilitate connection	Yes
POssibility to use 3x2.5mm ² cable	Yes
Nominal current	16A
Nominal voltage	250V~
Color	White-blue

Technical data

Fire resistance (GWEPT)	650/750 °C
Heat resistance (Ball pressure)	70/125 °C
Free of halogens	Yes

Regulations

CE marking	Yes
CMim marking	Yes

According to Regulations UNE/EN	UNE-20315-1-1:2017; UNE-20315-1-2:2017
In accordance with the Low Voltage Electrotechnical Regulations (REBT)	Yes
In accordance with the Regulation (EU) 2023/988 of the European Parliament and of the Council on general product safety	Yes

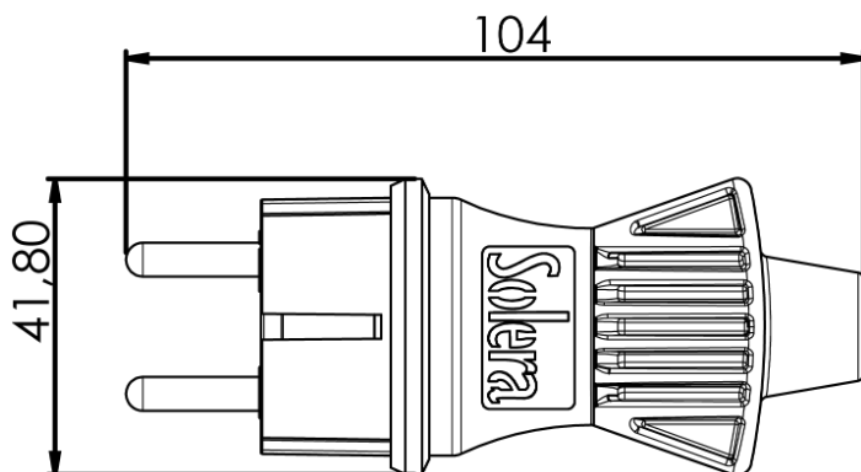
Sustainability

According to European Directive 2011/65/UE (RoHS)	Yes
According to European Directive 2012/19/UE (RAEE2)	Yes
According to Regulations (RoHS)	UNE-EN IEC 63000:2022

Logistics and packaging

Unit EAN code	8423220254718
EAN code container	8423220254084
EAN code packaging	18423220254081
Units packaging	14
Units carton	224
Pallet Units	7840
Packaging Measurements cm	14,5x8,8x19
Packaging Measures cm	59,5x37,5x20
Unit weight (g)	53,5
Container Weight (Kg)	0,796
Packaging Weight (Kg)	13,124
Tariff code	85366990

Sketch



Documentation and downloads



Commercial doc. (0.87MB)



Safety Information (0.38MB)



BYCLA , plugs and sockets made in Spain (Solera)