

Impulse relay 16A 250V

Remote switch (impulse relay) 16A with one normally open contact (1 NO) and 230V~ 50/60Hz coil. Fits one module (18 mm). Designed for control of installations with lamps or general uses. Manual control on the front.



Features

| | |
|-------------------------------------|---|
| Common applications | Indoor domestic / tertiary environment (Interior of home, offices, shops, etc.) |
| No. of poles | 1P + N |
| Modules (18 mm) | 1 |
| Network type | Alternating current (ac) |
| Fixation | 35mm DIN rail |
| Contacts | 1NO |
| Dimensions (width x height x depth) | 18 x 81 x 72 |
| Nominal current | 16A |
| Nominal voltage | 230 Vca - (50/60 Hz) |

Technical data

| | |
|-------------------------------|-----------------|
| Ambient operating temperature | -10 °C ; +50 °C |
| Free of halogens | Yes |

Regulations

| | |
|--------------|-----|
| CE marking | Yes |
| UK marking | Yes |
| CMim marking | Yes |

| | |
|--|------------------------------------|
| According to Regulations UNE/EN | UNE-EN 60669-1 UNE-EN 60669-2-2 |
| In accordance with the Low Voltage Electrotechnical Regulations (REBT) | Yes |
| According to European Directive 2014/35 / EU. Low voltage directive | Yes |

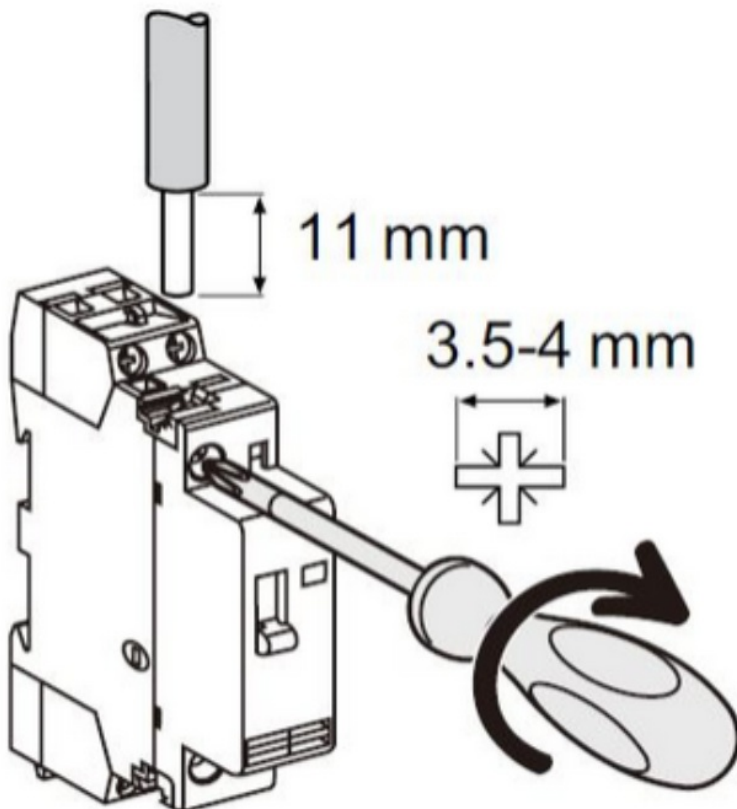
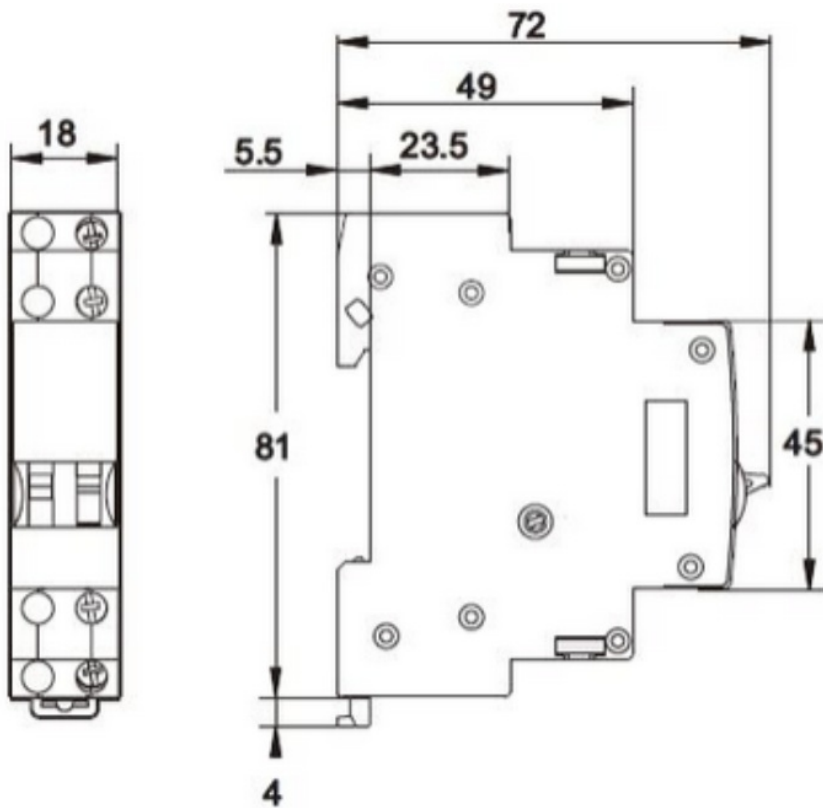
Sustainability

| | |
|--|-----------------------|
| According to European Directive 2011/65/UE (RoHS) | Yes |
| According to European Directive 2012/19/UE (RAEE2) | Yes |
| According to Regulations (RoHS) | UNE-EN IEC 63000:2022 |

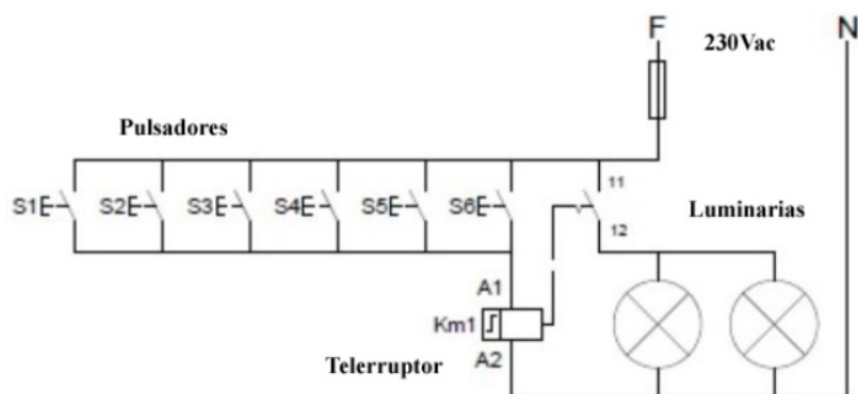
Logistics and packaging

| | |
|---------------------------|----------------|
| Unit EAN code | 8423220269262 |
| EAN code container | 8423220269637 |
| EAN code packaging | 18423220269634 |
| Units packaging | 12 |
| Units carton | 120 |
| Pallet Units | 6000 |
| Packaging Measurements cm | 22,5x95x85 |
| Packaging Measures cm | 4,8x2,5x1,8 |
| Unit weight (g) | 103,8 |
| Container Weight (Kg) | 1,3956 |
| Packaging Weight (Kg) | 14,0598 |
| Tariff code | 85362010 |

Sketch



Sketch



Documentation and downloads



Safety Information (0.38MB)