

Automatic stair case timer. Suitable for LED.

The automatic staircase timer is designed to control the operating time of the installation. It is LED compatible and operates at 230V~. It fits in one module and features an ON-Timer function with an adjustable time range from 30 seconds to 20 minutes. It includes a 1NO contact (16A).



Features

Common applications	Indoor domestic / tertiary environment (Interior of home, offices, shops, etc.)
Modular device type	Staircase timer
No. of poles	1P + N
Modules (18 mm)	1
Network type	Alternating current (ac)
Fixation	35mm DIN rail
Contacts	1NO
Minimum unit of time that measures	1 minute
Nominal current	16A
Nominal voltage	230 Vca - (50/60 Hz)

Technical data

Fire resistance (GWEPT)	960 °C
Ambient operating temperature	-5 °C ; +40 °C
Free of halogens	Yes

Regulations

CE marking	Yes
------------	-----

UK marking	Yes
CMim marking	Yes
According to Regulations UNE/EN	UNE-EN 60669-2-3:2007
In accordance with the Low Voltage Electrotechnical Regulations (REBT)	Yes
According to European Directive 2014/35 / EU. Low voltage directive	Yes

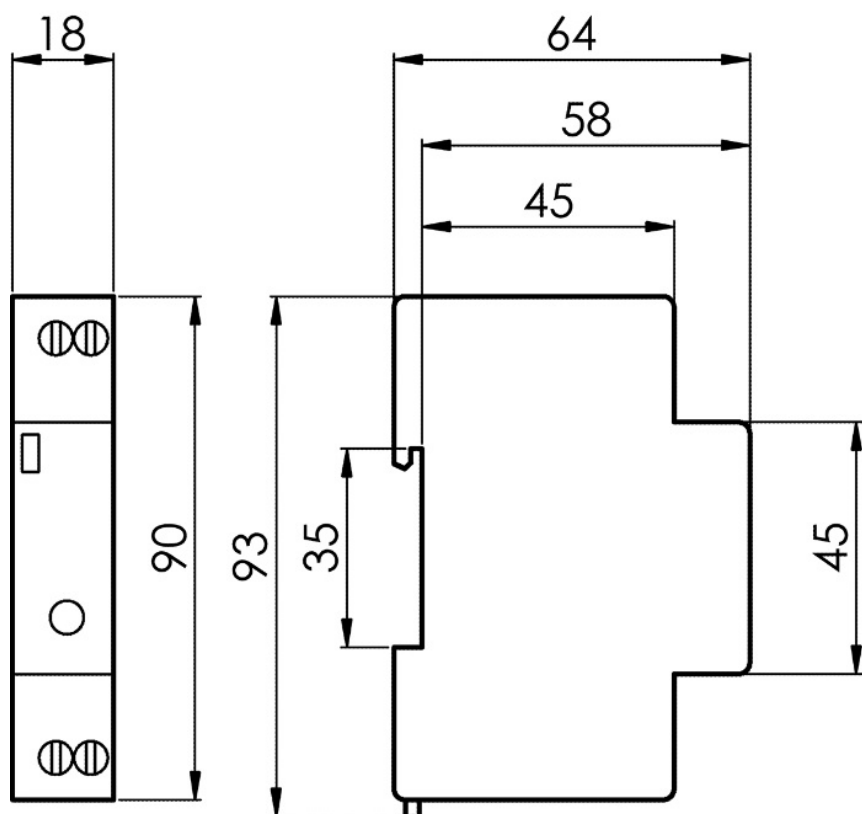
Sustainability

According to European Directive 2011/65/UE (RoHS)	Yes
According to European Directive 2012/19/UE (RAEE2)	Yes
According to Regulations (RoHS)	UNE-EN IEC 63000:2022

Logistics and packaging

Unit EAN code	8423220081208
EAN code container	8423220066298
EAN code packaging	18423220066295
Units packaging	12
Units carton	120
Pallet Units	3600
Packaging Measurements cm	2,5x10x7
Packaging Measures cm	42x21x37,5
Unit weight (g)	69
Container Weight (Kg)	0,84
Packaging Weight (Kg)	8,805
Tariff code	85362010

Sketch



Documentation and downloads



Safety Information (0.38MB)