

Residual Current Circuit-Breaker 2P, 63A. AC class. Sensitivity 30 mA

Residual Current Circuit-Breaker 2P, 63A. AC Class. Sensitivity 30 mA 2 modules. 230V AC (50 - 60 Hz). Breaking capacity 6kA.



Features

Common applications	Indoor domestic / tertiary environment (Interior of home, offices, shops, etc.)
Mechanical durability	15.000 cycles
Protection type (modular)	Diferential switch
No. of poles	1P + N
Modules (18 mm)	2
Neutral position	Left
Network type	Alternating current (ac)
Sensitivity (Leakage current)	30 mA
Short circuit capacity	6 kA
Protection type	Class AC
Delay type	Instant (No delay)
Fixation	35mm DIN rail
Connection capacity	Up to 35 mm ²
Possibility of using pin type combs	Yes
Nominal current	63A
Nominal voltage	230 Vca - (50/60 Hz)

Technical data

Fire resistance (GWEPT)	960 °C
-------------------------	--------

Ambient operating temperature	-5 °C ; +40 °C
Free of halogens	Yes

Regulations

CE marking	Yes
UK marking	Yes
CMim marking	Yes
According to Regulations UNE/EN	UNE-EN 61008-1:2013;UNE-EN IEC 61543:2023
In accordance with the Low Voltage Electrotechnical Regulations (REBT)	Yes
AENOR certificate	Yes
CB certificate	Yes
According to European Directive 2014/35 / EU. Low voltage directive	Yes

Sustainability

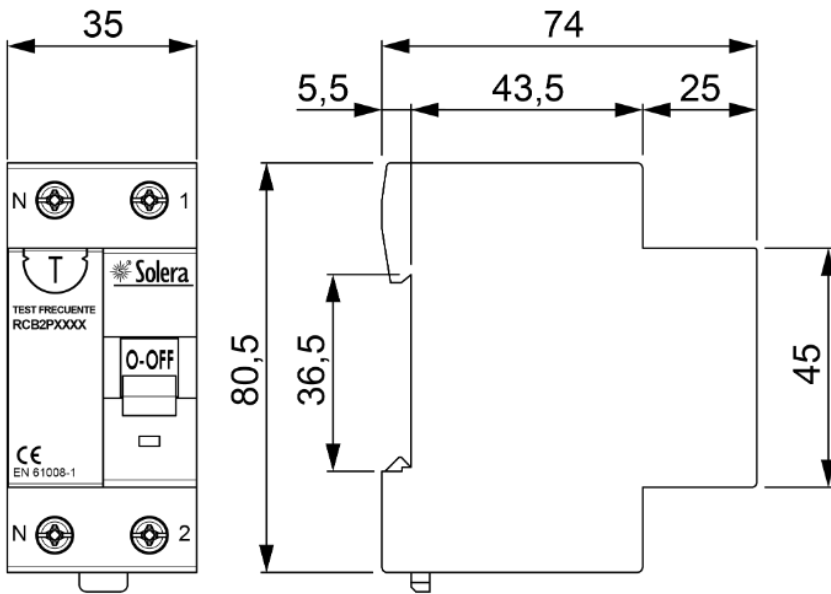
According to European Directive 2011/65/UE (RoHS)	Yes
According to European Directive 2012/19/UE (RAEE2)	Yes
According to Regulations (RoHS)	UNE-EN IEC 63000:2022
According to European Directive 2014/30/UE. (CEM)	Yes

Logistics and packaging

Unit EAN code	8423220093522
EAN code container	8423220093522
EAN code packaging	18423220093529
Units packaging	1
Units carton	60
Pallet Units	1800
Packaging Measurements cm	9,5x4x8,7
Packaging Measures cm	44x21x28,5

Unit weight (g)	155
Container Weight (Kg)	0,2222
Packaging Weight (Kg)	13,89
Tariff code	85362010

Sketch



Documentation and downloads



Assembly instructions (0.26MB)



Safety Information (0.38MB)



Certificate (0.72MB)