

## Residual Current Circuit-Breaker 2P 40A. AC class. Sensitivity 30 mA

Residual Current Circuit-Breaker 2P, 40A. AC Class. Sensitivity 30 mA 2 modules. 230V AC (50 - 60 Hz). Breaking capacity 6kA.



### Features

Common applications	Indoor domestic / tertiary environment (Interior of home, offices, shops, etc.)
Mechanical durability	15.000 cycles
Protection type (modular)	Diferential switch
No. of poles	1P + N
Modules (18 mm)	2
Neutral position	Left
Network type	Alternating current (ac)
Sensitivity (Leakage current)	30 mA
Short circuit capacity	6 kA
Protection type	Class AC
Delay type	Instant (No delay)
Fixation	35mm DIN rail
Connection capacity	Up to 35 mm <sup>2</sup>
Possibility of using pin type combs	Yes
Nominal current	40A
Nominal voltage	230 Vca - (50/60 Hz)

### Technical data

Fire resistance (GWEPT)	960 °C
-------------------------	--------

Ambient operating temperature	-5 °C ; +40 °C
Free of halogens	Yes

## Regulations

CE marking	Yes
UK marking	Yes
CMim marking	Yes
According to Regulations UNE/EN	UNE-EN 61008-1:2013;UNE-EN IEC 61543:2023
In accordance with the Low Voltage Electrotechnical Regulations (REBT)	Yes
AENOR certificate	Yes
CB certificate	Yes
According to European Directive 2014/35 / EU. Low voltage directive	Yes

## Sustainability

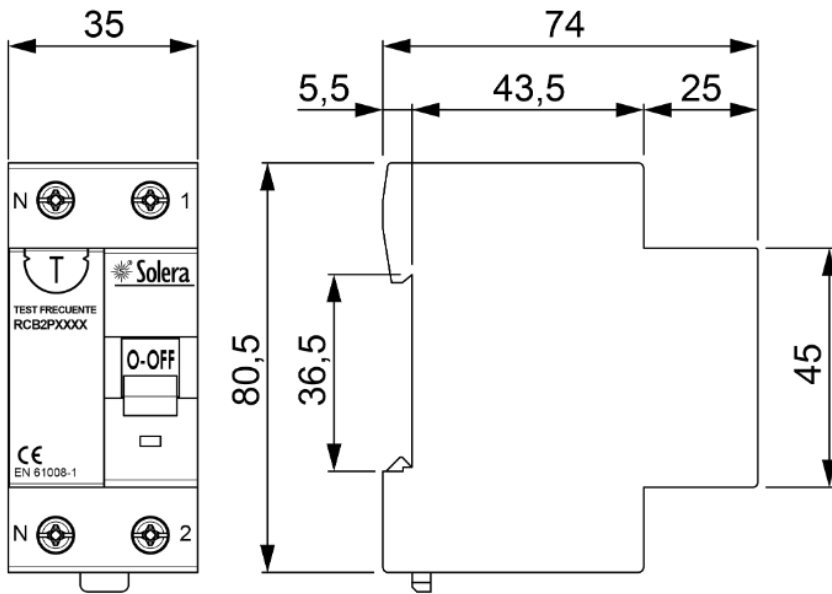
According to European Directive 2011/65/UE (RoHS)	Yes
According to European Directive 2012/19/UE (RAEE2)	Yes
According to Regulations (RoHS)	UNE-EN IEC 63000:2022
According to European Directive 2014/30/UE. (CEM)	Yes

## Logistics and packaging

Unit EAN code	8423220093515
EAN code container	8423220093515
EAN code packaging	18423220093512
Units packaging	1
Units carton	60
Pallet Units	1800
Packaging Measurements cm	9,5x4x8,7
Packaging Measures cm	44x21x28,5

Unit weight (g)	193,92
Container Weight (Kg)	0,26212
Packaging Weight (Kg)	16,2852
Tariff code	85362010

## Sketch



## Documentation and downloads



Assembly instructions (0.26MB)



Safety Information (0.38MB)



Certificate (0.72MB)