

GREEN indicator led lighth. 230V AC.

GREEN indicator led lighth. 230V AC. Mounting diameter: Ø 22 mm



Features

Common applications	Industrial environments (factories, warehouses, etc.)
Element type	Light indicators
Network type	Alternating current (ac)
Nominal voltage	230 Vca - (50/60 Hz)
Color	Green
Consumption	14mA

Technical data

Fire resistance (GWEPT)	850 °C
Ambient operating temperature	-5 °C ; +40 °C
Free of halogens	Yes

Regulations

CE marking	Yes
UK marking	Yes
CMim marking	Yes
According to Regulations IEC	UNE EN IEC 60947-1:2022
In accordance with the Low Voltage Electrotechnical Regulations (REBT)	Yes
According to European Directive 2014/35 / EU. Low voltage directive	Yes

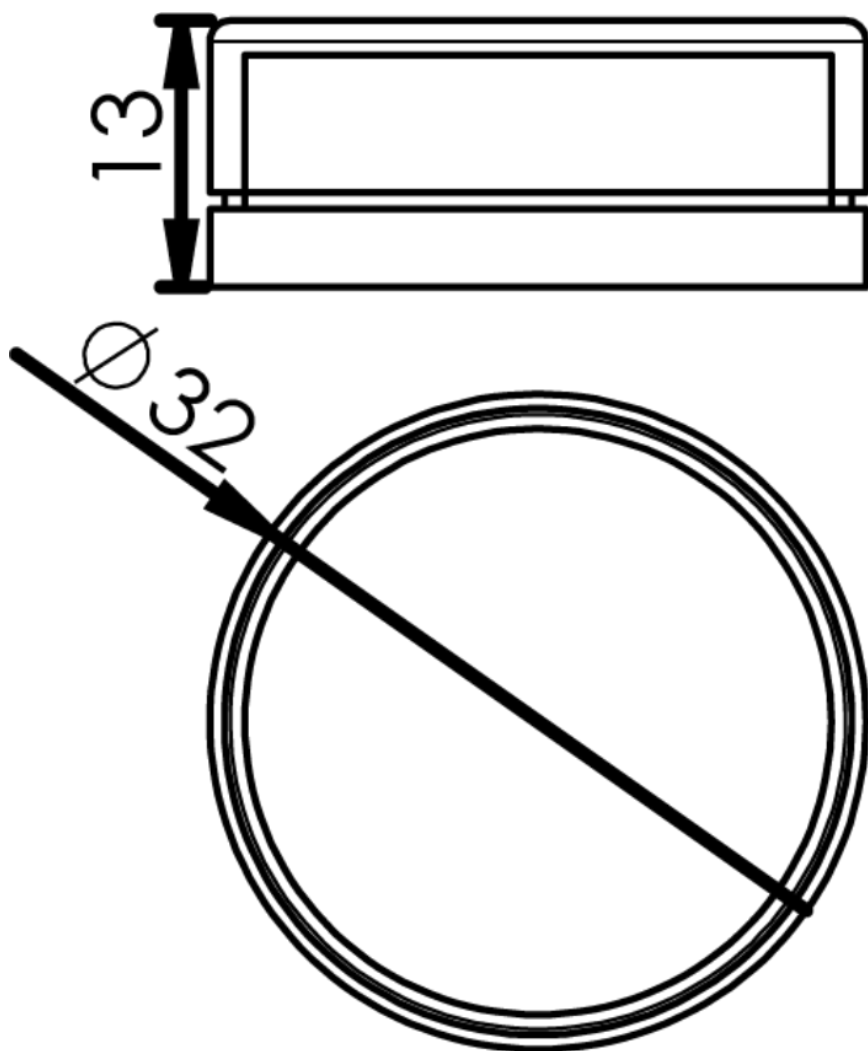
Sustainability

According to European Directive 2011/65/UE (RoHS)	Yes
According to European Directive 2012/19/UE (RAEE2)	Yes
According to Regulations (RoHS)	UNE-EN IEC 63000:2022

Logistics and packaging

Unit EAN code	8423220078536
EAN code container	8423220066243
EAN code packaging	18423220066240
Units packaging	12
Units carton	288
Pallet Units	6912
Packaging Measurements cm	16x9x8,5
Packaging Measures cm	40x30x30
Unit weight (g)	19,4
Container Weight (Kg)	0,2756
Packaging Weight (Kg)	7,1394
Tariff code	85362010

Sketch



Documentation and downloads



Safety Information (0.38MB)