

## Emergency stop button (OPEN CONTACTS - NO).

Emergency stop button (OPEN CONTACTS - NO). Turn to unlock. WITHOUT label



### Features

Common applications	Industrial environments (factories, warehouses, etc.)
Element type	Emergency button (Mushroom)
Network type	Alternating current (ac)
Nominal current	16A
Nominal voltage	230 Vca - (50/60 Hz)

### Technical data

Fire resistance (GWEPT)	850 °C
Ambient operating temperature	-25 °C ; +60 °C
Free of halogens	Yes

### Regulations

CE marking	Yes
UK marking	Yes
CMim marking	Yes
According to Regulations UNE/EN	UNE-EN 60947-5-5:1999
In accordance with the Low Voltage Electrotechnical Regulations (REBT)	Yes
According to European Directive 2014/35 / EU. Low voltage directive	Yes

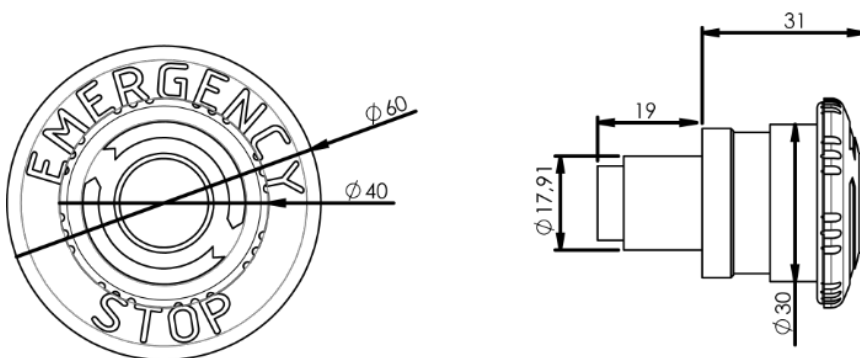
### Sustainability

According to European Directive 2011/65/UE (RoHS)	Yes
According to European Directive 2012/19/UE (RAEE2)	Yes
According to Regulations (RoHS)	UNE-EN IEC 63000:2022

## Logistics and packaging

Unit EAN code	8423220078598
EAN code container	8423220071179
EAN code packaging	18423220071176
Units packaging	6
Units carton	180
Pallet Units	4320
Packaging Measurements cm	16x9x8,5
Packaging Measures cm	40x30x30
Unit weight (g)	82,2
Container Weight (Kg)	0,596
Packaging Weight (Kg)	18,405
Tariff code	85362010

## Sketch



## Documentation and downloads



Safety Information (0.38MB)