

## Modular contactor 4P, 63A, 3 modules.

Modular contactor 4P, 63A, 3 modules. 4NO contacts. Coil voltage 230V~. 240/415V AC (50 - 60 Hz).



## Features

Common applications	Industrial environments (factories, warehouses, etc.)
Modular device type	Contactor
No. of poles	4P
Modules (18 mm)	3
Network type	Alternating current (ac)
Fixation	35mm DIN rail
Contacts	4NO
Nominal current	63A
Nominal voltage	230/400 Vca - (50/60 Hz)

## Technical data

Fire resistance (GWEPT)	960 °C
Ambient operating temperature	-5 °C ; +40 °C
Free of halogens	Yes

## Regulations

CE marking	Yes
UK marking	Yes

CMim marking	Yes
According to Regulations UNE/EN	UNE-EN 60947-4-1:2021
According to Regulations IEC	IEC 61095:2009
In accordance with the Low Voltage Electrotechnical Regulations (REBT)	Yes
According to European Directive 2014/35 / EU. Low voltage directive	Yes

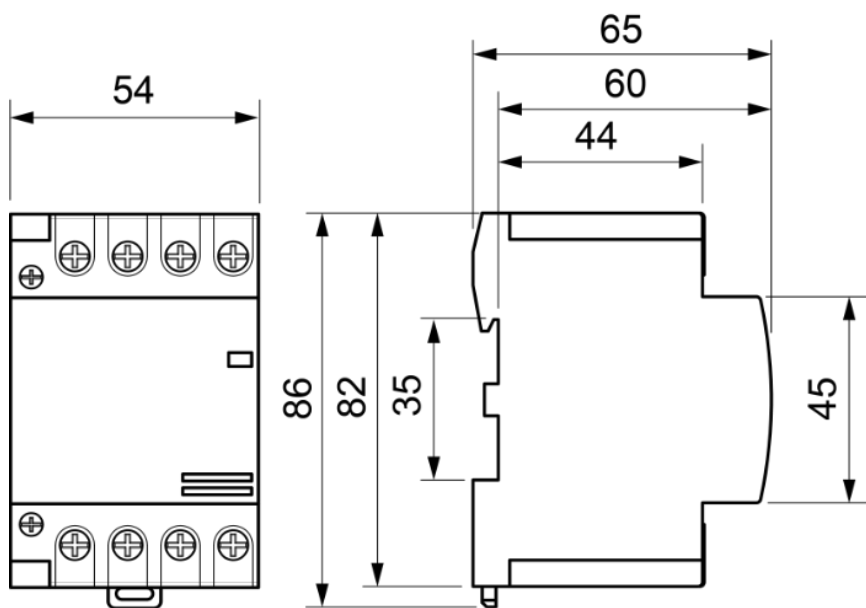
## Sustainability

According to European Directive 2011/65/UE (RoHS)	Yes
According to European Directive 2012/19/UE (RAEE2)	Yes
According to Regulations (RoHS)	UNE-EN IEC 63000:2022

## Logistics and packaging

Unit EAN code	8423220066151
EAN code container	8423220066151
EAN code packaging	18423220066158
Units packaging	1
Units carton	54
Pallet Units	2880
Packaging Measures cm	37,5x30x20
Unit weight (g)	305
Container Weight (Kg)	0,3078
Packaging Weight (Kg)	16,9532
Tariff code	85362010

## Sketch



## Documentation and downloads



Safety Information (0.38MB)