

Modular contactor 2P, 40A, 2 modules.

Modular contactor 2P, 40A, 2 modules. 2NO contacts. Coil voltage 230V~. 240/415V AC (50 - 60 Hz).



Features

Common applications	Industrial environments (factories, warehouses, etc.)
Modular device type	Contactor
No. of poles	2P
Modules (18 mm)	2
Network type	Alternating current (ac)
Fixation	35mm DIN rail
Contacts	2NO
Nominal current	40A
Nominal voltage	230 Vca - (50/60 Hz)

Technical data

Fire resistance (GWEPT)	960 °C
Ambient operating temperature	-5 °C ; +40 °C
Free of halogens	Yes

Regulations

CE marking	Yes
UK marking	Yes

CMim marking	Yes
According to Regulations UNE/EN	UNE-EN 60947-4-1:2021
According to Regulations IEC	IEC 61095:2009
In accordance with the Low Voltage Electrotechnical Regulations (REBT)	Yes
According to European Directive 2014/35 / EU. Low voltage directive	Yes

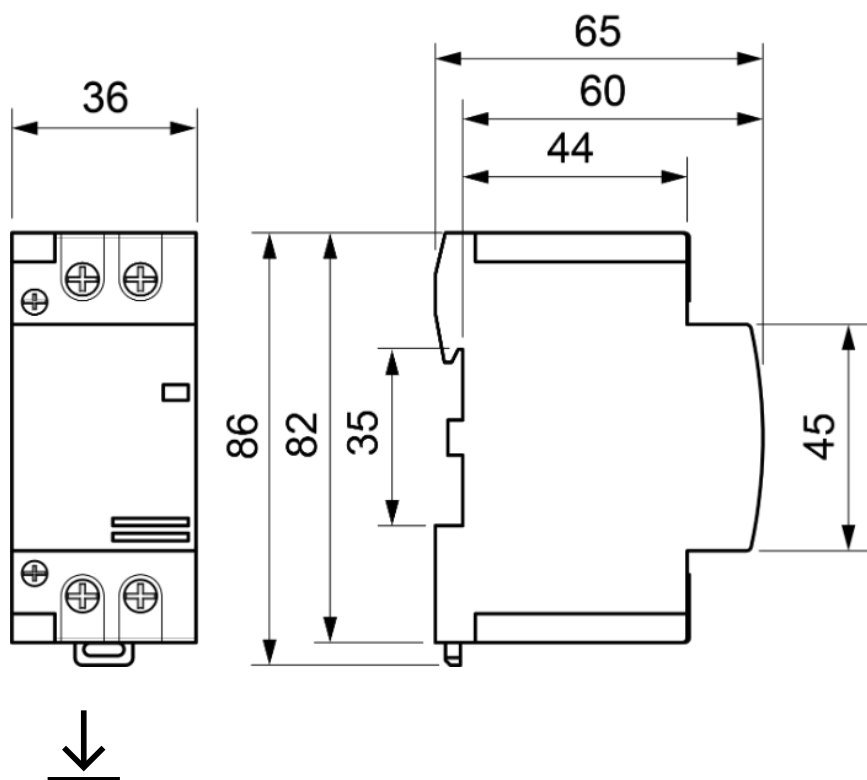
Sustainability

According to European Directive 2011/65/UE (RoHS)	Yes
According to European Directive 2012/19/UE (RAEE2)	Yes
According to Regulations (RoHS)	UNE-EN IEC 63000:2022

Logistics and packaging

Unit EAN code	8423220092310
EAN code container	8423220092310
EAN code packaging	18423220092317
Units packaging	1
Units carton	120
Pallet Units	10800
Packaging Measurements cm	23x8x8
Packaging Measures cm	43x24x34
Unit weight (g)	122
Container Weight (Kg)	0,13
Packaging Weight (Kg)	16,125
Tariff code	85362010

Sketch



Documentation and downloads



Safety Information (0.38MB)